

**southco**

REV. DATE DRAWN BY  
 B 1/2 JAN 92 KPL  
 C 09 OCT 96 JMD  
 D 03 DEC 98 JGR  
 E 07 JUL 99 SKR  
 F 14 FEB 2001 JES  
 G 26 JAN 2011 JMS  
 H 30 JUN 2021 JMS

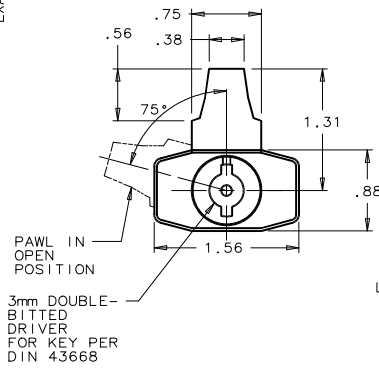
PROPRIETARY ITEM - EXCEPT FOR USES EXPRESSLY GRANTED IN WRITING INFORMATION DISCLOSED HEREIN, ALL RIGHTS ARE RESERVED BY SOUTHCO, INC.

3mm DOUBLE BITTED LATCH DRIVER

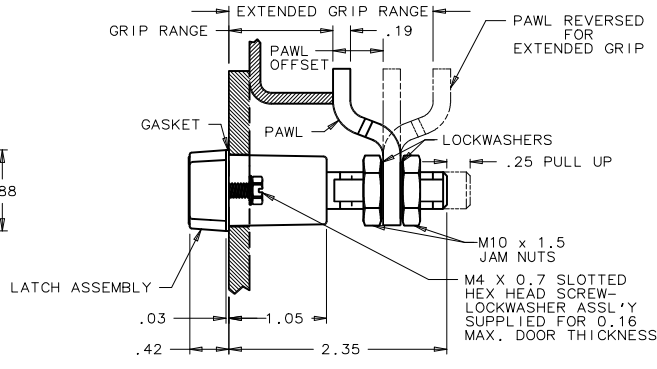
DATE 5/26/89  
 DRAWN (CHKD) RES  
 SCALE 0.75 : 1  
 DRAWING NUMBER J-E3-32

REV.	DATE	DRAWN BY	REVISION	ASSEMBLY PART NO.	GRIP RANGE	PAWL OFFSET	COMPONENT	MATERIAL	FINISH
B	1/2 JAN 92	KPL	PRN: S-1-03	E3-32-1X	2.47 ± .02 or 1.08		HOUSING	DIE CAST ZINC	SEE TABLE
C	09 OCT 96	JMD	PRN: S-9-23	E3-32-2X	1.98 ± .05 or 0.54		CAP	DIE CAST ZINC	SEE TABLE
D	03 DEC 98	JGR	PRN: E3-7-16A	E3-32-3X	1.39 ± .00	NONE	RETAINER	302 STAINLESS STEEL	NATURAL
E	07 JUL 99	SKR	PRN: E3-8017E3-806				SPRING	302 STAINLESS STEEL	NATURAL
F	14 FEB 2001	JES	PRN: E3-847A				O-RING	BUNA-N	NATURAL
G	26 JAN 2011	JMS	PRN: P2015-0219				SLEEVE	1075 STEEL	DACROTIZED†
H	30 JUN 2021	JMS	PRN: P2021-1293				CAM	1075 STEEL	DACROTIZED†

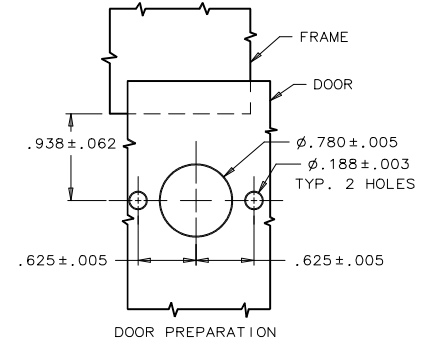
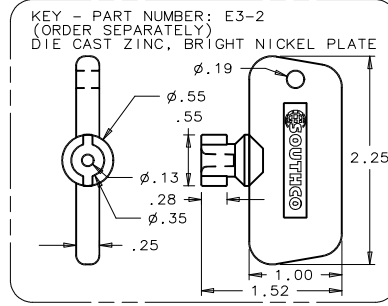
THE ABOVE PART NUMBERS ARE TYPE "A" (TURN CLOCKWISE TO LATCH), FOR TYPE "B" ASSEMBLIES (TURN COUNTERCLOCKWISE TO LATCH); CHANGE THE THIRD DIGIT OF THE PART NUMBER FROM 3 TO 23. EXAMPLE: E3-232-13



3mm DOUBLE-BITTED DRIVER FOR KEY PER DIN 43668



- X- FINISH TABLE  
 1 - BRIGHT CHROME PLATE  
 4 - CARDINAL WHITE POWDER COAT  
 5 - BLACK POWDER COAT  
 7 - SATIN SILVER POLYESTER POWDER COAT



LATCH DIMENSIONS FOR REFERENCE ONLY

- NOTES:  
 1. OPERATION: 195° TURN OF KEY CAUSES PAWL TO ROTATE 75° THEN PULL UP 0.25.  
 2. PAWL, NUTS, LOCKWASHERS, GASKET, AND SCREW ASS'Y'S SHIPPED UNASSEMBLED IN BAG WITH LATCH ASSEMBLY.  
 3. INSTALLATION:  
 a. INSTALL GASKET OVER LATCH AND INSTALL LATCH IN DOOR. ATTACH USING M4 SCREW ASSEMBLIES (7mm HEX) 15 in-lb MAX. TIGHTENING TORQUE.  
 b. INSTALL JAM NUT, LOCKWASHER, PAWL, LOCKWASHER AND JAM NUT ON SHAFT. ADJUST JAM NUTS TO POSITION PAWL AT CORRECT GRIP (WITH LATCH CLOSED). TIGHTEN JAM NUTS (180 in-lb MAX. TORQUE) USING TWO 17mm WRENCHES.  
 CAUTION: ADJUST PAWL SO THAT NO MORE THAN 70 in-lb TORQUE ON KEY IS REQUIRED TO CLOSE LATCH.

DRAWING NUMBER  
 J-E3-32

† TM - METAL COATINGS INTERNATIONAL, INC.

PATENT US, UK  
 DIMENSIONS ARE INCHES UNLESS NOTED OTHERWISE