

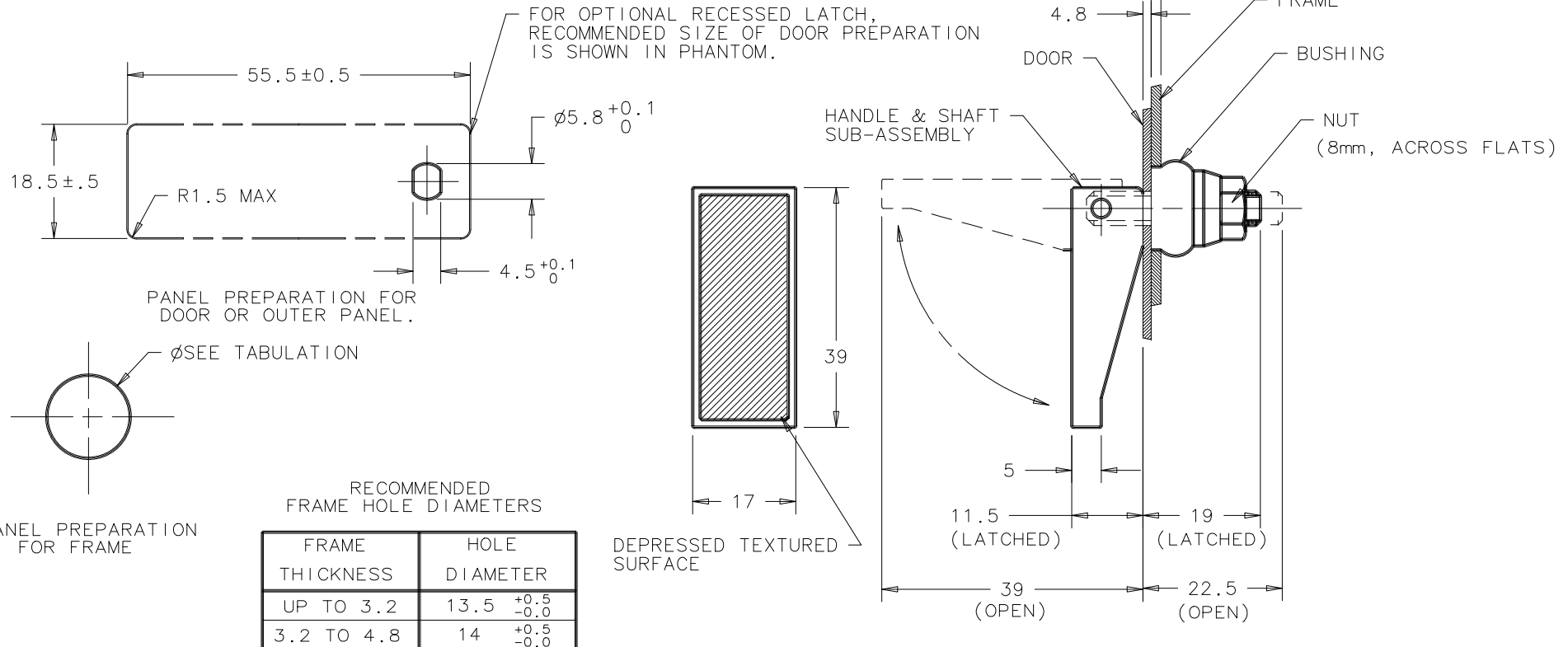
REV.	DATE	BY-CHKD	REVISIONS	ITEM	COMPONENT	PART No.	MATERIAL	FINISH
A	20MAR95	DAZ	PRN: 19-117			19-91-10		
B	02JAN2002	DLH	PRN: P2002-0764	HANDLE-SHAFT SUB-ASSEMBLY				
C	29OCT2013	CMS DGJ	PRN: P2013-2136		HANDLE		NYLON	BLACK
D	17AUG2016	JPK CMS	PRN: P2016-1906		SHAFT		BRASS	BLACK CHROMATE
					PIN		18-9LW STAINLESS ST'L.	SEE NOTE A
				BUSHING			IR/BR RUBBER	BLACK
				NUT			NYLON	BLACK

INSTALLATION INSTRUCTIONS:

1. PREPARE A SHAPED HOLE IN DOOR OR OUTER PANEL AND A ROUND HOLE IN THE FRAME.
2. WITH HANDLE IN OPEN POSITION INSERT SHAFT THROUGH HOLE IN DOOR, THEN PASS BUSHING OVER SHAFT AND SECURE WITH NYLON NUT.
3. ADJUST NYLON NUT TO PROVIDE A SATISFACTORY HOLD IN, OR BEHIND FRAME HOLE WITH MODERATE LOCKING FORCE.

NOTES:

- A. PASSIVATED WITH BLACK OXIDE COATING.
- B. SHIPPED UNASSEMBLED; ONE UNIT PER BAG.



FORMATA 3/88

PROPRIETARY ITEM - EXCEPT FOR USES EXPRESSLY GRANTED IN WRITING INFORMATION DISCLOSED HEREON IS CONFIDENTIAL AND ALL RIGHTS PATENT AND OTHERWISE ARE RESERVED BY SOUTHCO, INC.

THIRD ANGLE PROJECTION
ALL DIMENSIONS ARE IN MILLIMETRES.
DIMENSIONS WITHOUT TOLERANCES ARE FOR REFERENCE ONLY.

DRAWING NUMBER
J-19-91-10