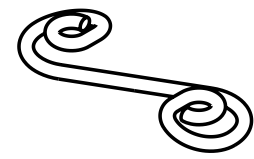
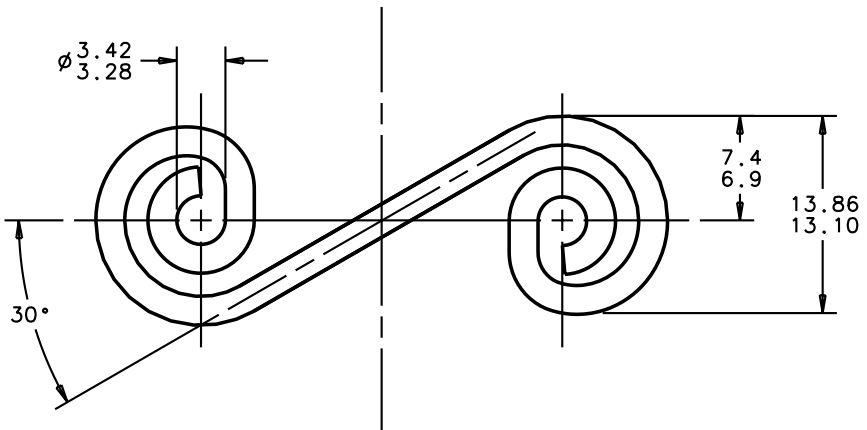
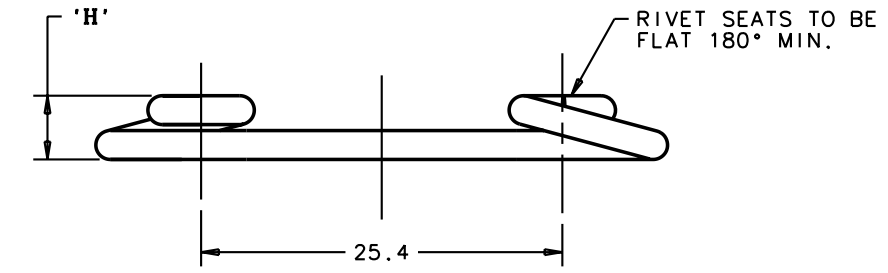


**PROPRIETARY ITEM**  
 EXCEPT FOR USES EXPRESSLY GRANTED  
 IN WRITING, INFORMATION DISCLOSED  
 HEREON IS CONFIDENTIAL AND ALL  
 RIGHTS, PATENT AND OTHERWISE,  
 ARE RESERVED BY SOUTHCO, INC.

REVISION HISTORY				
REV	DATE	DRAWN	CHECKED	DESCRIPTION
				INITIAL DRAWING RELEASE



ISOMETRIC VIEW



D4-S5-325	CARBON STEEL WIRE	ø2.03	PASSIVATE	8.26
D4-S5-300				7.62
D4-S5-275				6.98
D4-S5-250				6.34
D4-S5-225				5.72
D4-S5-200				5.08
D4-S5-175				4.48
PART NUMBER	MATERIAL	FORM	FINISH	H
D4-S5-325SS	STAINLESS STEEL WIRE	ø2.03	PASSIVATE	8.26
D4-S5-300SS				7.62
D4-S5-275SS				6.98
D4-S5-250SS				6.34
D4-S5-225SS				5.72
D4-S5-200SS				5.08
D4-S5-175SS				4.48
PART NUMBER	MATERIAL	FORM	FINISH	H

THIRD ANGLE PROJECTION

ALL DIMENSIONS WITHOUT TOLERANCES ARE FOR REFERENCE ONLY.

**MILLIMETERS**

VOLUME XXXXmm<sup>3</sup> MASS XXXXg

**southco**<sup>®</sup>  
 CONNECT · CREATE · INNOVATE

TITLE  
**D4 SPRING**

SIZE SYSTEM DWG NO  
 A4 I-DEAS **J-D4-S5**

DRWN/CHKD DATE SCALE SHEET  
 CW/MJS 07JAN2008 2:1 1 OF 1