

**southco®**

PROPRIETARY ITEM - EXCEPT FOR USES EXPRESSLY GRANTED IN WRITING INFORMATION DISCLOSED HEREON IS CONFIDENTIAL AND ALL RIGHTS PATENT AND OTHERWISE ARE RESERVED BY SOUTHCO, INC.

No. D1 SLOTTED STUD

DATE	DRAWN	CHKD	SCALE	DRAWING NUMBER
30MAR2005	AJH	JWS	2:1	J-D1-444

REV	DATE	DRAWN/CHKD	DESCRIPTION
A	06MAR2013	CMS/DGJ	PRN: P2013-0512

PART NUMBER	MATERIAL	COLOR
D1-444-XXX-010	ACETAL COPOLYMER RESIN	BLACK
D1-444-XXX-030	GLASS FILLED NYLON	BLACK

L (-XXX)
SEE TABLE

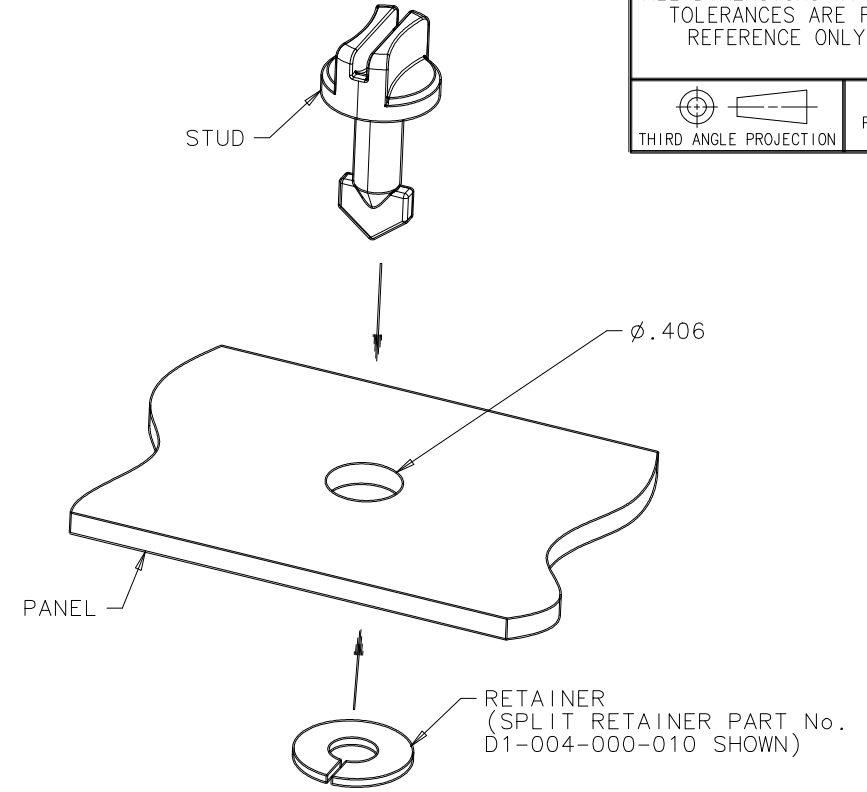
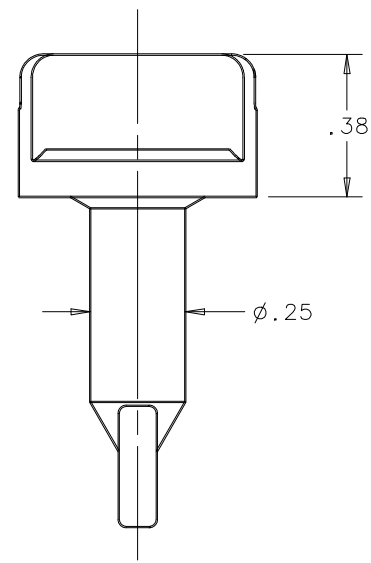
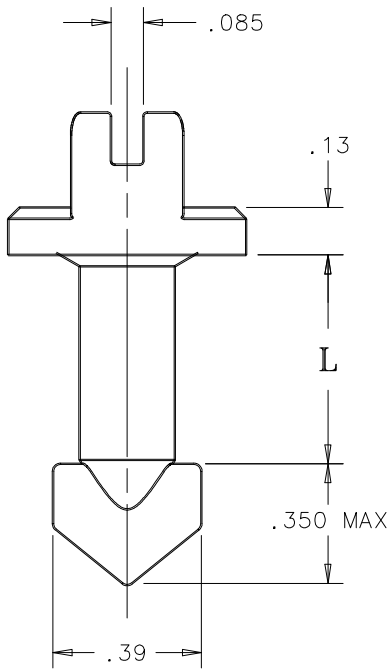
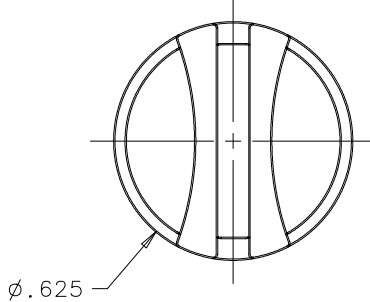
**INCHES**

ALL DIMENSIONS WITHOUT TOLERANCES ARE FOR REFERENCE ONLY.

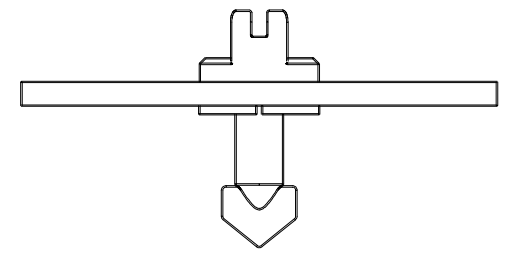
THIRD ANGLE PROJECTION

A PAPER SIZE

L (-XXX)	LENGTH
-045-	.450
-050-	.500
-055-	.550
-060-	.600
-065-	.650
-070-	.700
-075-	.750
-080-	.800
-085-	.850
-090-	.900
-095-	.950
-100-	1.000



SCALE 1:1



**INSTALLED**  
(SCALE 1:1)