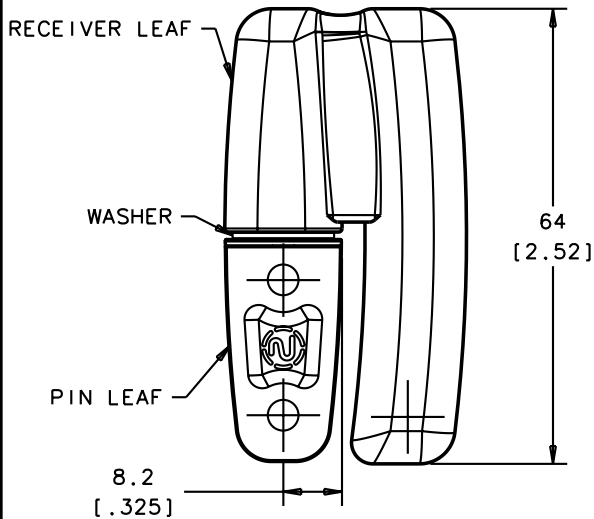
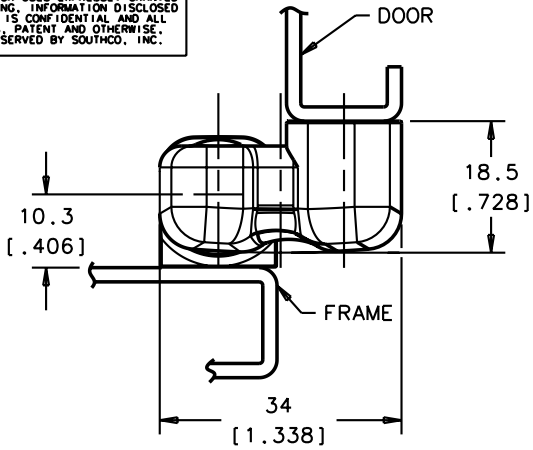


PROPRIETARY ITEM
EXCEPT FOR USES EXPRESSLY GRANTED
IN WRITING, INFORMATION DISCLOSED
HEREON IS CONFIDENTIAL AND ALL
RIGHTS, PATENT AND OTHERWISE,
ARE RESERVED BY SOUTHCO, INC.

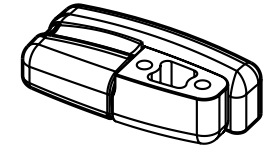
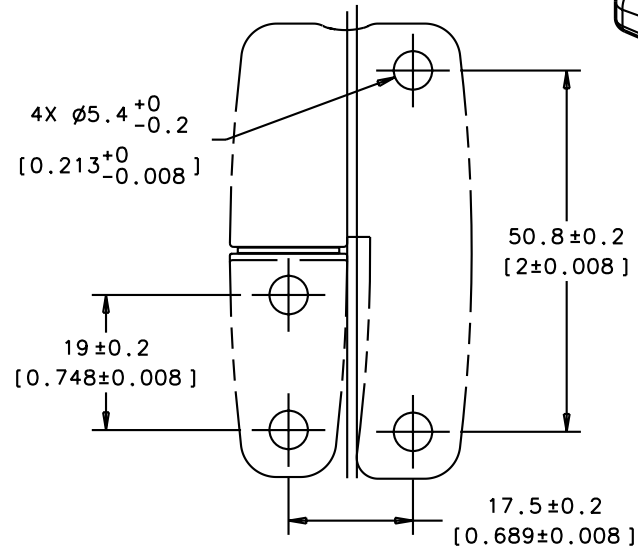


NOTES:

- A. ATTACH HINGE WITH M5 X 0.8 SCREWS.
- B. MAXIMUM SCREW LENGTH:
DOOR OR FRAME THICKNESS PLUS 10.16.
- C. MATERIAL AND FINISH:
PIN AND RECEIVER LEAF- CF-8M STAINLESS STEEL
(NOMINAL CAST EQUIVALENT
OF 316 STAINLESS STEEL)

REVISION HISTORY				
REV	DATE	DRAWN	CHECKED	DESCRIPTION
A	10JUN2008	DJK	RLR	PRN: P2008-0615

PANEL PREPERATION



SCALE 1:2

RECEIVER LEAF	-	SEE NOTE C	BRIGHT POLISH
WASHER	-	NYLON	-
PIN LEAF	-	SEE NOTE C	BRIGHT POLISH
PIN ASSEMBLY	-	-	-
ASSEMBLY	96-MA-8A-24	-	-
ITEM	PART NUMBER	MATERIAL	FINISH

THIRD ANGLE
PROJECTION



ALL DIMENSIONS WITHOUT
TOLERANCES ARE FOR
REFERENCE ONLY.

southco[®]

CONNECT · CREATE · INNOVATE

TITLE
NO.96-LIFT-OFF HINGE
OFFSET STYLE, TYPE A

MILLIMETERS [IN]

SIZE A4	SYSTEM I-DEAS	DWG NO J-96-MA-8A
------------	------------------	----------------------

DRWN/CHKD VSA/VGV	DATE 10JUN2008	SCALE 1:1	SHEET 1 OF 1
----------------------	-------------------	--------------	-----------------