

6

5

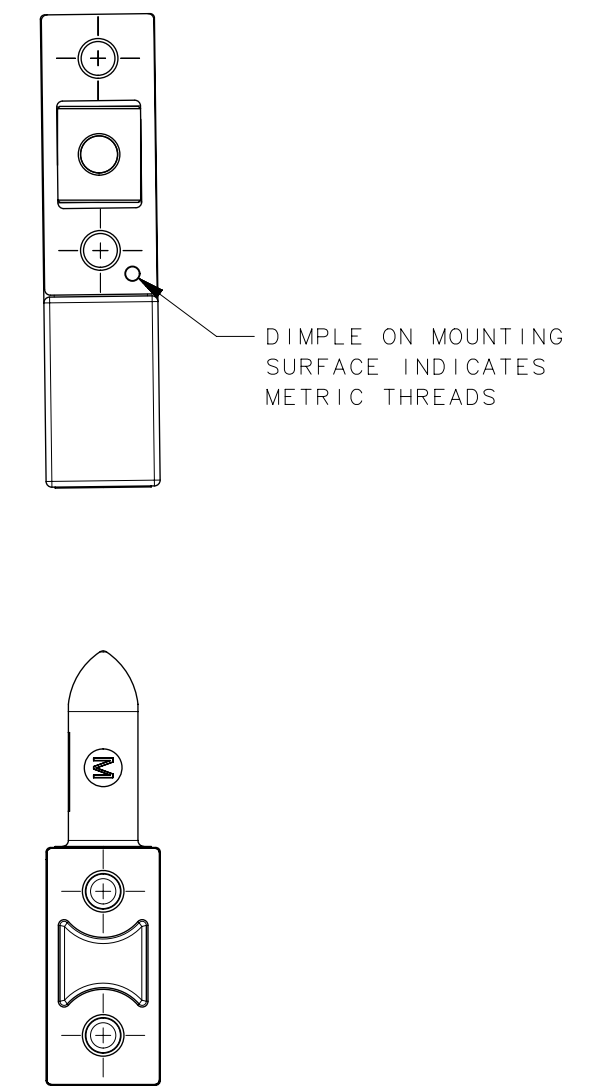
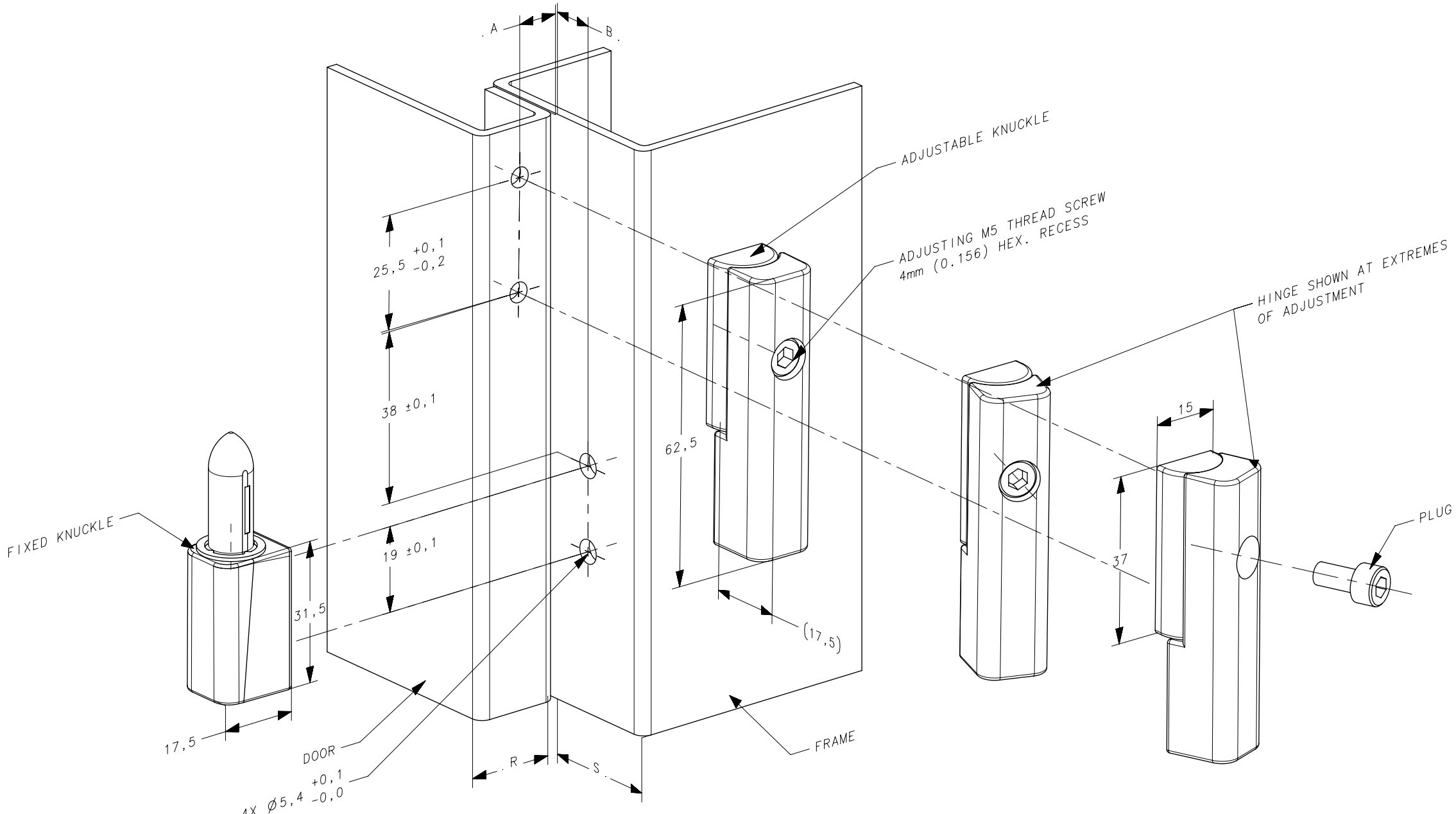
4

3

2

1

REVISION HISTORY			
REV	DATE	BY	DESCRIPTION
G	16APR2018	YBS/VK	PRN: P2018-0943



- NOTES:
- ASSEMBLY PART NUMBER, CONSISTING OF ONE FIXED KNUCKLE, ONE ADJUSTABLE KNUCKLE AND ONE PLUG AS SHOWN : 96-50-570.
  - MATERIAL AND FINISH :  
 HINGES : DIE CAST ZINC, BLACK POLYESTER POWDER COATED.  
 SCREW : 18-8 STAINLESS STEEL, BLACK OXIDE.  
 NUT : STEEL, ZINC PLATE PLUS SEALER AND CORICONE DIP.  
 PLUG IS THERMOPLASTIC, BLACK.
  - INSTALLATION ;  
 A. ATTACH THE FIXED KNUCKLE TO THE FRAME USING M5 X 0.8 SCREWS FROM BEHIND. SCREW LENGTH = FRAME THICKNESS PLUS 7.5  
 B. ATTACH THE ADJUSTABLE KNUCKLE TO THE DOOR USING M5 X 0.8 SCREWS FROM BEHIND. SCREW LENGTH = DOOR THICKNESS PLUS 7.5  
 C. ADJUST THE HINGE FOR PROPER GASKET COMPRESSION.  
 D. INSTALL THE PLUG IF DESIRED.  
 E. DIMENSION "A" IS ADJUSTABLE IN THE RANGE OF 10<sup>+2.6</sup><sub>-2.4</sub>.  
 F. FOR THE DOOR TO OPEN A FULL 180°, EITHER DIMENSION "R" OR "S" DIMENSION MUST BE LESS THAN 20.  
 G. DIMENSION "B" WILL VARY BETWEEN 0.377 AND 0.391 AS DIMENSION "A" IS ADJUSTED THROUGH ITS RANGE. THE DOOR AND FRAME DESIGN MUST ALLOW FOR THIS VARIATION.

96-50-570	LIFT-OFF HINGE	SEE NOTE 2	SEE NOTE 2
PART NUMBER	TYPE OF COMPONENT	MATERIAL	FINISH
THIRD ANGLE PROJECTION		 CONNECT • CREATE • INNOVATE	
MILLIMETERS [IN]			
SURFACE AREA		DESCRIPTION	
VOLUME		SOUTHCO No. 96 ADJUSTABLE LIFT-OFF HINGE - REAR MOUNTED	
PROPRIETARY ITEM		SIZE	DWG NO.
EXCEPT FOR USES EXPRESSLY GRANTED IN WRITING, INFORMATION DISCLOSED HEREON IS CONFIDENTIAL AND ALL RIGHTS, PATENT AND OTHERWISE, ARE RESERVED BY SOUTHCO, INC.		B	NX
PER ASME Y14.5M-1994		DATE	SCALE
		RHB	02AUG1990 1:1
		SHEET 1 OF 1	

6

5

4

3

2

1