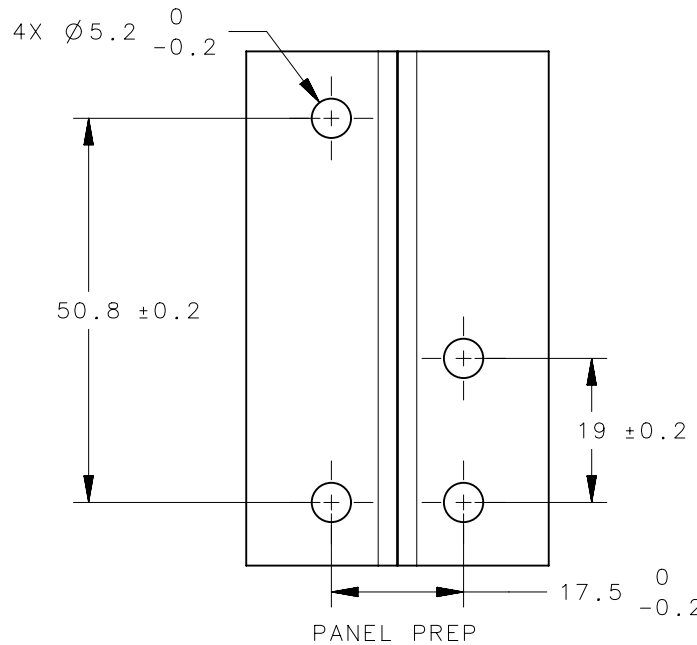
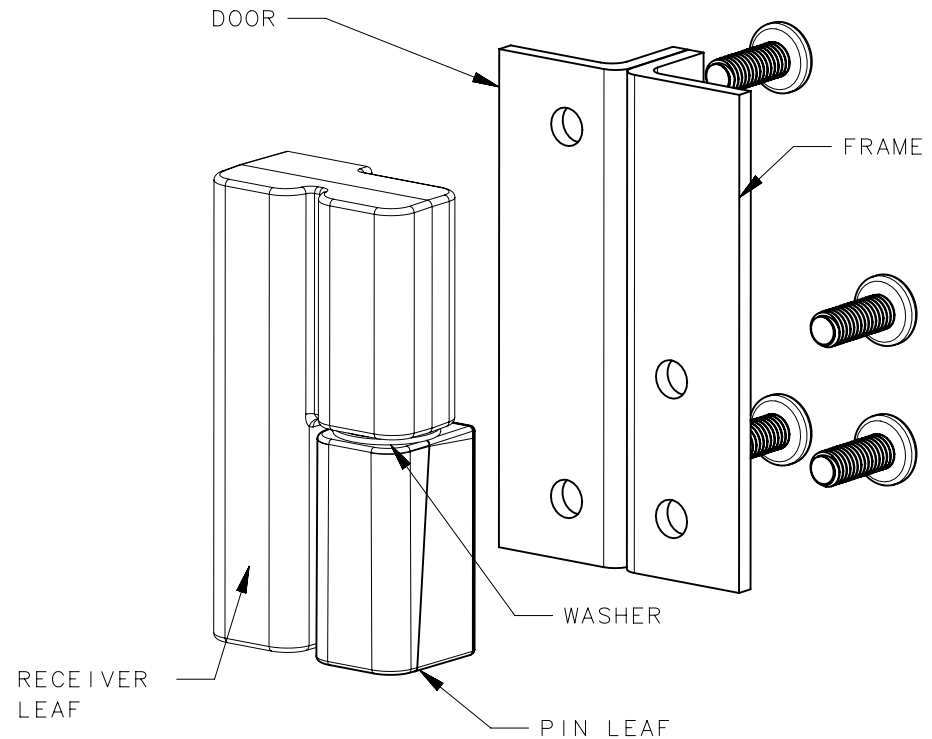
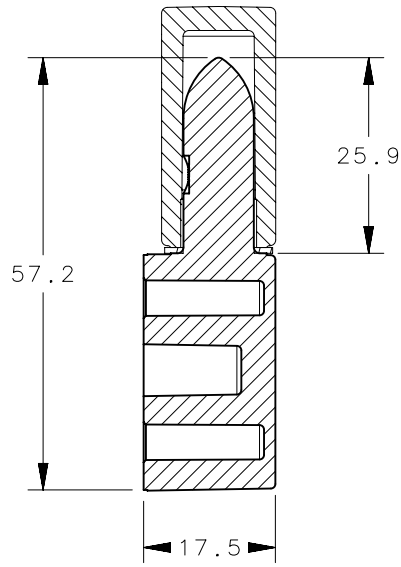
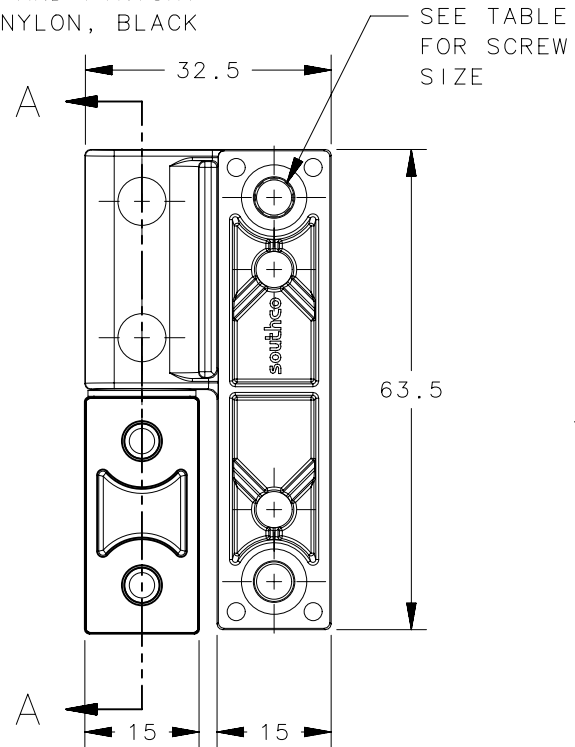


NOTES:
 A. MATERIAL AND FINISH:
 WASHER: NYLON, BLACK

REVISION HISTORY			
REV	DATE	BY	DESCRIPTION
C	07AUG2018	KPA/CMS	PRN: P2018-1862



96-50-520-50	M5	ZINC	BLACK, POWDER COATED
96-10-520-50	10-32	ZINC	BLACK, POWDER COATED
PART NUMBER	THREAD	MATERIAL	FINISH

PROPRIETARY ITEM <small>EXCEPT FOR USES EXPRESSLY GRANTED IN WRITING, INFORMATION DISCLOSED HEREON IS CONFIDENTIAL AND ALL RIGHTS, PATENT AND OTHERWISE, ARE RESERVED BY SOUTHCO, INC.</small>	THIRD ANGLE PROJECTION	 CONNECT • CREATE • INNOVATE	
	MILLIMETERS [IN]		
	TOLERANCES UNLESS OTHERWISE NOTED	DESCRIPTION	
	ALL DIMENSIONS WITHOUT TOLERANCES ARE FOR REFERENCE ONLY. PER ASME Y14.5M-1994	No. 96, TYPE B OFFSET HINGE ASSEMBLY	
	SIZE A4 SYSTEM NX	DWG NO. J-96-520	
	DRAWN BY CMS/JW	DATE 28AUG2017	SCALE 1:1 SHEET 1 OF 1