

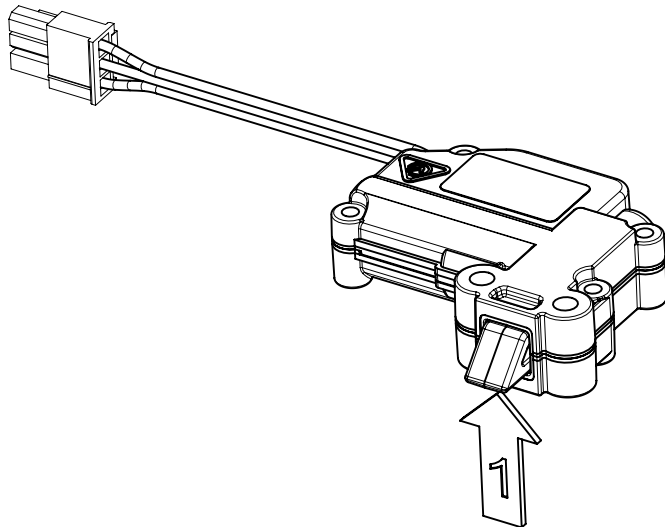
SOUTHCO PERFORMANCE GUIDELINES

REVISION HISTORY			
REV	DATE	BY	DESCRIPTION
A	22AUG2018	ACS/GGG	PRN: P2018-1996

THE PERFORMANCE GUIDELINES SHOWN ON THIS PAGE ARE SUPPLIED AS A GENERAL GUIDE ONLY, AS CONDITIONS VARY WITH EACH APPLICATION AND METHOD OF INSTALLATION. STRENGTH DATA GIVEN IS FOR FAILURE OF THE PRODUCT OR FOR SUFFICIENT DEFORMATION TO MAKE THE PRODUCT INOPERABLE. NO SAFETY FACTOR HAS BEEN APPLIED. IT'S RECOMMENDED THAT THE USER REQUEST A PRODUCT SAMPLE FOR TESTING TO DETERMINE THE SUITABILITY OF THE PRODUCT FOR THE PURPOSE INTENDED AND THE USER'S PARTICULAR APPLICATION.

PERFORMANCE VALUES FOR EM-05-5-1 SERIES
SEE J-EM-05-5-1 FOR LATCH DIMENSIONS, ELECTRICAL SPECIFICATIONS AND OPERATING INSTRUCTIONS.

- TESTING PERFORMED USING PART NUMBER EM-05-52-2001 LATCH.
- CYCLE LIFE: 100,000 CYCLES
 - CYCLE TEMPERATURE: 90,000 AT AMBIENT TEMP, 5,000 AT 0C, 5,000 AT +60C
 - CYCLE LOAD: 6.67 N (1.5 lbf) TENSILE FORCE (DIRECTION 1) ON LATCH BOLT.
 - LOAD APPLIED USING AN ACETAL KEEPER.
- MAXIMUM TENSILE FORCE ON THE LATCH BOLT (DIRECTION 1) THAT THE LATCH CAN RELEASE (OPEN) ELECTRICALLY ONE TIME:
 - 22.2 N (5.0 lbf) AT 4.5 VOLTS
 - 28.9 N (6.5 lbf) AT 5.00 VOLTS
 - 33.3 N (7.5 lbf) AT 5.5 VOLTS
 - LOAD APPLIED USING AN ACETAL KEEPER.
- AVERAGE ULTIMATE TENSILE LOAD ON THE LATCH BOLT(DIRECTION 1) BEFORE LATCH BOLT FAILURE: 1089.9 N (245 lbf)
- MAXIMUM TENSILE LOAD ON THE LATCH BOLT (DIRECTION 1) WITHOUT DAMAGE: 618.3 N (139 lbf)
- OPERATING TEMPERATURE 0° TO 60° C



REF: trEM-33007

	THIRD ANGLE PROJECTION	 CONNECT • CREATE • INNOVATE	
	MILLIMETERS [IN]		
SURFACE AREA	XXXXXmm ²	DESCRIPTION	
VOLUME	XXXXXmm ³	ELECTRO-MECHANICAL SLIDE BOLT	
PROPRIETARY ITEM	EXCEPT FOR USES EXPRESSLY GRANTED IN WRITING, INFORMATION DISCLOSED HEREON IS CONFIDENTIAL AND ALL RIGHTS, PATENT AND OTHERWISE, ARE RESERVED BY SOUTHCO, INC.	SIZE	SYSTEM
		A4	NX
		DWG NO.	TD-EM-05-5-1-J
	PER ASME Y14.5M-1994	DRAWN BY	DATE
		GGG/	20JUN2018
		SCALE	SHEET
		1:1	1 OF 1