

REVISION HISTORY			
REV	DATE	BY	DESCRIPTION
B	17JUL2019	JTO/CMS	PRN: P2019-1754

SOUTHCO PERFORMANCE GUIDELINES

THE PERFORMANCE GUIDELINES SHOWN ON THIS PAGE ARE SUPPLIED AS A GENERAL GUIDE ONLY, AS CONDITIONS VARY WITH EACH APPLICATION AND METHOD OF INSTALLATION. STRENGTH DATA GIVEN IS FOR FAILURE OF THE PRODUCT OR FOR SUFFICIENT DEFORMATION TO MAKE PRODUCT INOPERABLE. NO SAFETY FACTOR HAS BEEN APPLIED IT IS RECOMMENDED THAT THE USER REQUEST A PRODUCT SAMPLE FOR TESTING TO DETERMINE THE SUITABILITY OF THE PRODUCT FOR THE PURPOSE INTENDED AND USER'S PARTICULAR APPLICATION.

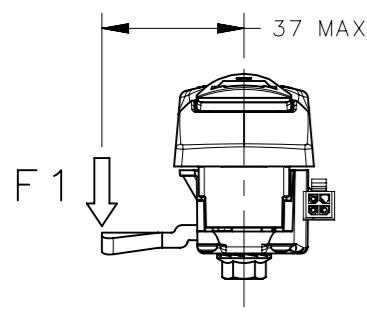
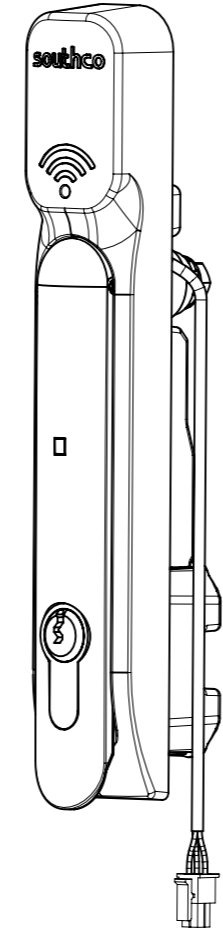
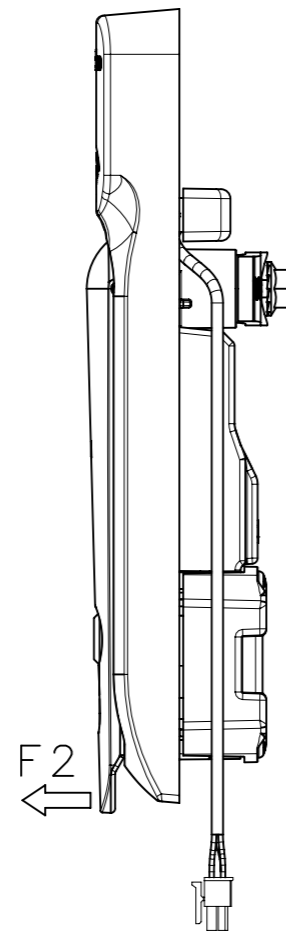
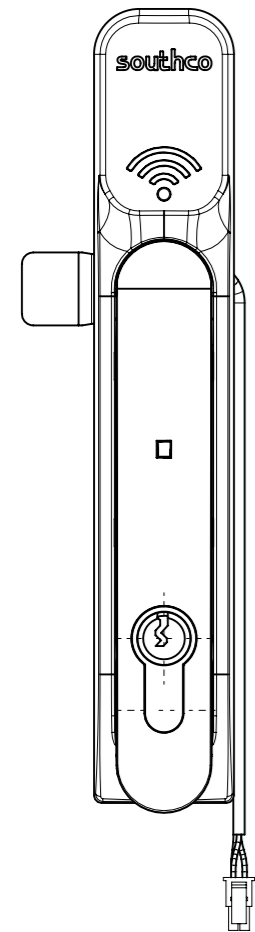
NOTES:

- A. FOR DIMENSIONS AND ELECTRICAL SPECIFICATION SEE APPROPRIATE SWINGHANDLE TRADE DRAWING (J-H3-EM-6X-100)
- B. TEST DATA VALID FOR USE WITH SOUTHCO LOCK PLUG PK-99-79.


TYPE OF LOAD	CYCLE LIFE	LOAD F1
NORMAL (1)	5000 (ELECTRONIC AND MECHANICAL LOCK/UNLOCK AND TURN HANDLE OPEN/CLOSED)	NONE
ACCIDENTAL (2)	100 (ELECTRONIC AND MECHANICAL LOCK/UNLOCK AND TURN HANDLE OPEN/CLOSED)	50N

ULTIMATE LOAD, M1, WITH HANDLE FULLY LIFTED IN THE CLOSING AND OPENING DIRECTION	25Nm
MAXIMUM WORKING LOAD, M1, WITH HANDLE FULLY LIFTED IN THE CLOSING AND OPENING DIRECTION	20Nm
ULTIMATE LOAD, F2, WITH HANDLE LOCKED AND IN THE CLOSED POSITION	400N
ULTIMATE LOAD, F1, ON CAM (TESTED WITH CAM E5-6712)	600N
MOUNTING SCREW, MAX TORQUE	0.5Nm
CAM SCREW INSTALLATION, MIN TORQUE	4Nm
CAM SCREW INSTALLATION, MAX TORQUE	4.5Nm
UL-94 RATING	V0 (3)

- (1) TESTING AT OPERATING TEMPERATURE RANGE 0°C TO +45°C WITH 85% RH. STORAGE TEMPERATURE -10°C TO +70°C. TESTED AT 12VDC
- (2) ACCIDENTAL LOAD CASE. HANDLE PULLED AT THE SAME TIME AS ELECTRIC LOCK ACTUATED. LOAD CASE NOT EXPECTED IN NORMAL SERVICE. TESTING AT AMBIENT AT 12VDC.
- (3) ALL MOLDED COMPONENTS OVER 1cm³ MADE FROM UL-94 V0 RATED MATERIAL. TOTAL AMOUNT OF NON RATED MATERIAL PER ASSEMBLY LESS THAN 3% BY VOLUME. ALL EXTERNAL COMPONENTS MADE FROM UL-94 V0 RATED MATERIAL.



REF: trH3-12703, trH3-12704, trH3-12705, trH3-12706, trH3-12707
trH3-12708, trH3-12709, trH3-12710, trH3-12711, trH3-12637, trH3-34843

THIRD ANGLE PROJECTION			
MILLIMETERS [IN]			
TOLERANCES UNLESS OTHERWISE NOTED		DESCRIPTION	
SURFACE AREA	UP TO 0.5 ±0.05	H3-EM ELECTRONIC LOCKING SWINGHANDLE WITH CARD READER	
VOLUME	OVER 0.5 UP TO 6 ±0.1		
	OVER 6 UP TO 30 ±0.2		
	OVER 30 ±0.3		
PROPRIETARY ITEM	ANGLES ±1°	SIZE	SYSTEM
EXCEPT FOR USES EXPRESSLY GRANTED IN WRITING, INFORMATION DISCLOSED HEREON IS CONFIDENTIAL AND ALL RIGHTS, PATENT AND OTHERWISE, ARE RESERVED BY SOUTHCO, INC.		A3	NX
PER ASME Y14.5M-1994		DWG NO.	TD-H3-EM-68-100-J
		DRAWN BY	DJK/BGB
		DATE	06SEP2013
		SCALE	1:2
		SHEET	1 OF 1