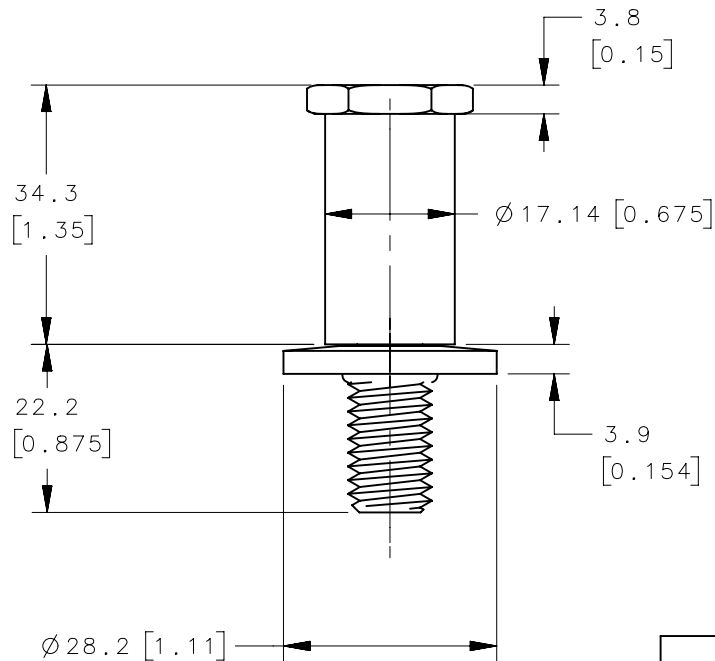
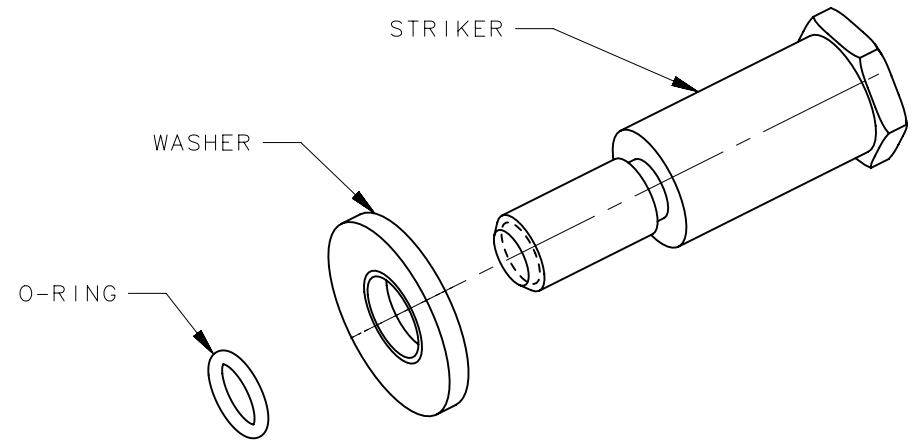
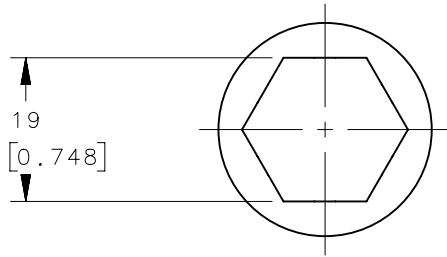


REVISION HISTORY			
REV	DATE	BY	DESCRIPTION
1	27AUG08	CMK	RELEASED
A	20APR09	CMK	PRN: P2009-0510
B	10AUG09	CMK	PRN: P2009-0946



MATERIAL AND FINISH:

- STRIKER BOLT: STEEL, ZINC PLATED, BRIGHT CHROMATE
- WASHER: STAINLESS STEEL, PASSIVATED
- O-RING: BUNA

NOTE:

1. STRIKER BOLT(S) ARE TO BE USED WITH SOUTHCO STANDARD R4-50 SERIES LATCHES.

R4-90-4101-10	1/2-13	86 FT-LBS
R4-90-441-10	M12 x 1.75	75 FT-LBS
R4-90-491-10	7/16-14	56 FT-LBS
SOUTHCO PART NUMBER	THREADS AVAILABLE	MOUNTING TORQUE (MIN) DEPENDENT ON SURFACE CONDITIONS

THIRD ANGLE PROJECTION		 CONNECT • CREATE • INNOVATE	
MILLIMETERS [IN]			
TOLERANCES UNLESS OTHERWISE NOTED		DESCRIPTION STRIKER BOLT ASSEMBLY	
SURFACE AREA XXXXXmm ²		SIZE A4	SYSTEM NX
VOLUME XXXXXmm ³		DWG NO. J-R4-90-400	
PROPRIETARY ITEM <small>EXCEPT FOR USES EXPRESSLY GRANTED IN WRITING, INFORMATION DISCLOSED HEREON IS CONFIDENTIAL AND ALL RIGHTS, PATENT AND OTHERWISE, ARE RESERVED BY SOUTHCO, INC.</small>		DRAWN BY CMK	DATE 23OCT08
PER ASME Y14.5M-1994		SCALE 1:1	SHEET 1 OF 1