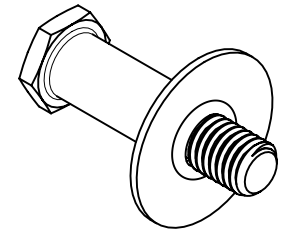
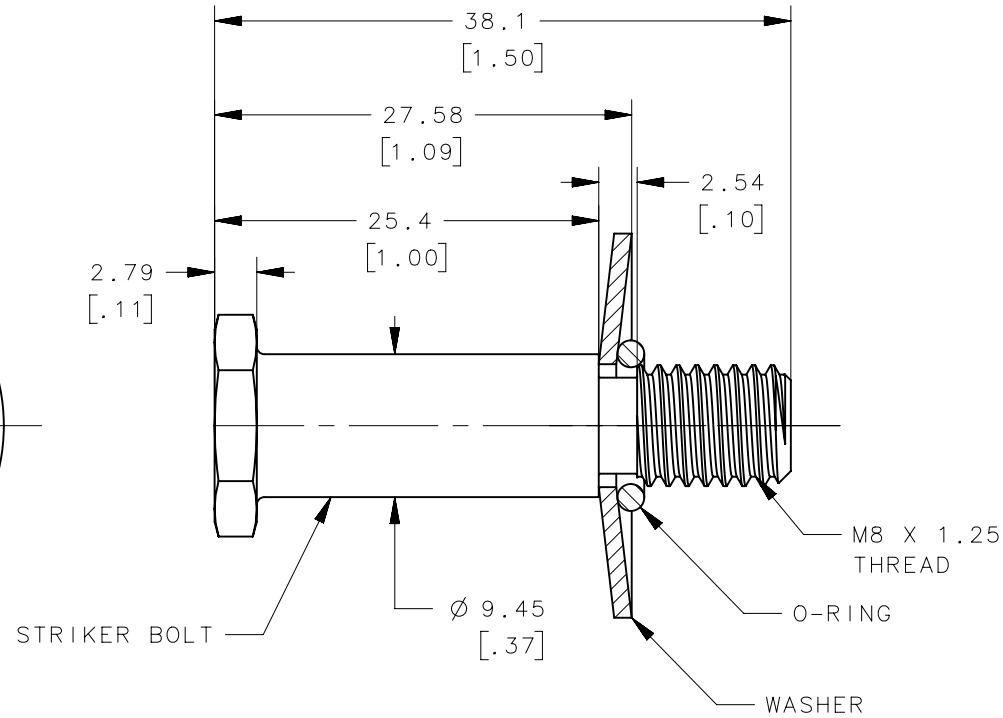
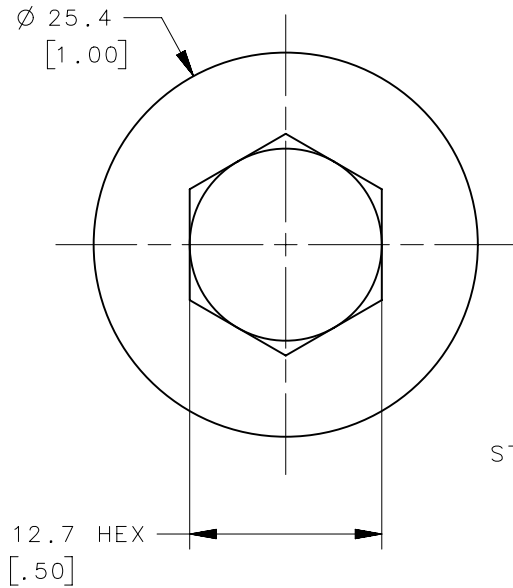


REVISION HISTORY			
REV	DATE	BY	DESCRIPTION
C	03 DEC 2011	DMS/YGC	PRN: P2011-1594



REF. VIEW  
SCALE 1:1

PART NUMBER	ITEM	MATERIAL	FINISH
R4-90-121-10	ASSEMBLY	-	-
-	STRIKER BOLT	STEEL	ZINC PLATED, BRIGHT CHROMATE
-	WASHER	STAINLESS STEEL	PASSIVATED
-	O-RING	70 DUROMETER BUNA N	NATURAL
R4-90-121-20	ASSEMBLY	-	-
-	STRIKER BOLT	STAINLESS STEEL	PASSIVATED
-	WASHER	STAINLESS STEEL	PASSIVATED
-	O-RING	70 DUROMETER BUNA N	NATURAL

NOTE:  
1. TO BE USED WITH SOUTHCO STANDARD R4-10 SERIES LATCHES.

	THIRD ANGLE PROJECTION			 CONNECT • CREATE • INNOVATE	
	MILLIMETERS [IN]				
	TOLERANCES UNLESS OTHERWISE NOTED	DESCRIPTION STRIKER BOLT ASSEMBLY			
	ALL DIMENSIONS WITHOUT TOLERANCES ARE FOR REFERENCE ONLY.	SIZE A4	SYSTEM NX	DWG NO. J-R4-90-121	
<small>PROPRIETARY ITEM EXCEPT FOR USES EXPRESSLY GRANTED IN WRITING, INFORMATION DISCLOSED HEREON IS CONFIDENTIAL AND ALL RIGHTS, PATENT AND OTHERWISE, ARE RESERVED BY SOUTHCO, INC.</small>	PER ASME Y14.5M-1994	DRAWN BY MDY/LAH	DATE 16 DEC 2004	SCALE 2:1	SHEET 1 OF 1