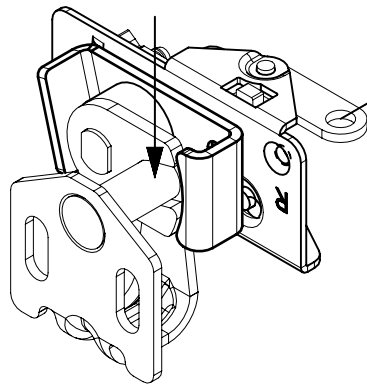


REVISION HISTORY			
REV	DATE	BY	DESCRIPTION
C	11DEC2020	CAB/LSS	PRN: P2020-2283

SOUTHCO PERFORMANCE GUIDELINES

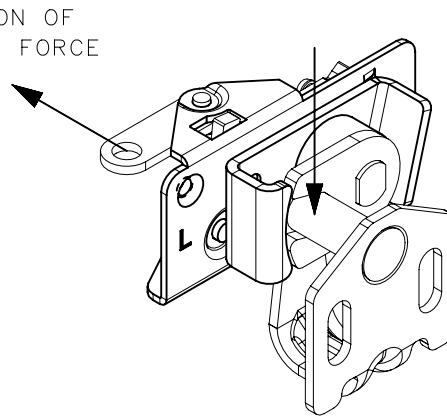
THE PERFORMANCE GUIDELINES SHOWN ON THIS PAGE ARE SUPPLIED AS A GENERAL GUIDE ONLY, AS CONDITIONS VARY WITH EACH APPLICATION AND METHOD OF INSTALATION. STRENGHT DATA GIVEN IS FOR FAILURE OF THE PRODUCT OR FOR SUFFICIENT DEFORMATION TO MAKE THE PRODUCT INOPERABLE. NO SAFETY FACTOR HAS BEEN APPLIED. IT IS RECOMMENDED THAT THE USER REQUEST A PRODUCT SAMPLE FOR TESTING TO DETERMINE THE SUITABILITY OF THE PRODUCT FOR THE PURPOSE INTENDED AND USER'S PARTICULAR APPLICATION.

DIRECTION OF
GASKET FORCE AND
TENSILE FORCE



R4-75-32-201-10
RIGHT HAND

DIRECTION OF
GASKET FORCE AND
TENSILE FORCE



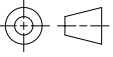

R4-75-42-201-10
LEFT HAND

NOTES:

1. CYCLE AND TENSILE TESTS WERE PERFORMED WITH THE STRIKER R4-90-1005-10 MOUNTED IN RELATION TO THE LATCH PAWL.

GASKET FORCE	AVERAGE FORCE REQUIRED TO ACTUATE (OPEN) LATCH	AVERAGE ULTIMATE TENSILE FORCE BEFORE FRACTURE OR STRIKER PULL-OUT	CYCLE LIFE	MAX. RECOMMENDED TIGHTENING TORQUE ON MOUNTING SCREW
200 N	22 - 28 N	4500 N	30000	10 N.m

REF: TEST trR4-34699, trR4-43408

		THIRD ANGLE PROJECTION				 CONNECT • CREATE • INNOVATE		
		MILLIMETERS [IN]						
		TOLERANCES UNLESS OTHERWISE NOTED			DESCRIPTION			
SURFACE AREA		UP TO 0.5	±0.05	R4-75 TEST DATA SHEET				
VOLUME		OVER 0.5 UP TO 6	±0.1					
		OVER 6 UP TO 30	±0.2					
		OVER 30	±0.3					
PROPRIETARY ITEM		ANGLES	±1°	SIZE	SYSTEM	DWG NO.		
EXCEPT FOR USES EXPRESSLY GRANTED IN WRITING, INFORMATION DISCLOSED HEREON IS CONFIDENTIAL AND ALL RIGHTS, PATENT AND OTHERWISE, ARE RESERVED BY SOUTHCO, INC.		PER ASME Y14.5M-1994		A4	NX	TD-R4-75-J		
				DRAWN BY	DATE	SCALE	SHEET	
				RM	06NOV2017	1:1	1 OF 1	