

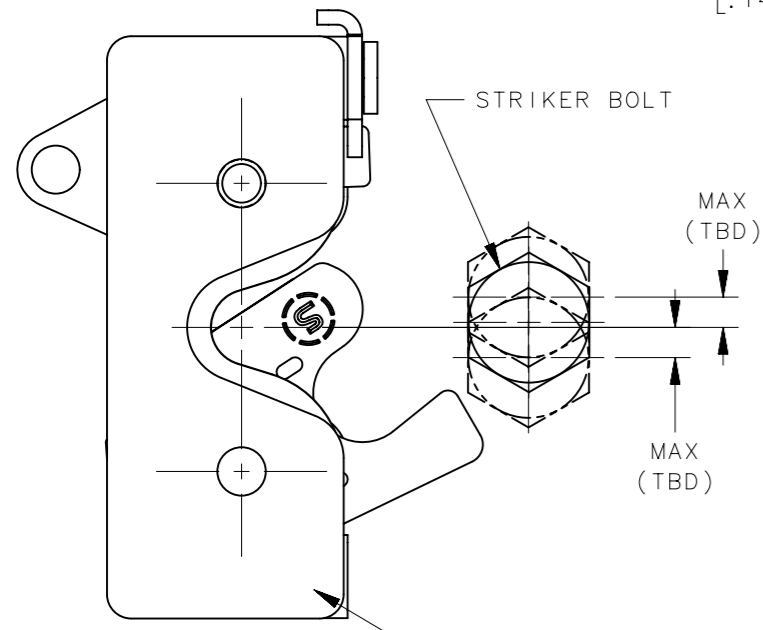
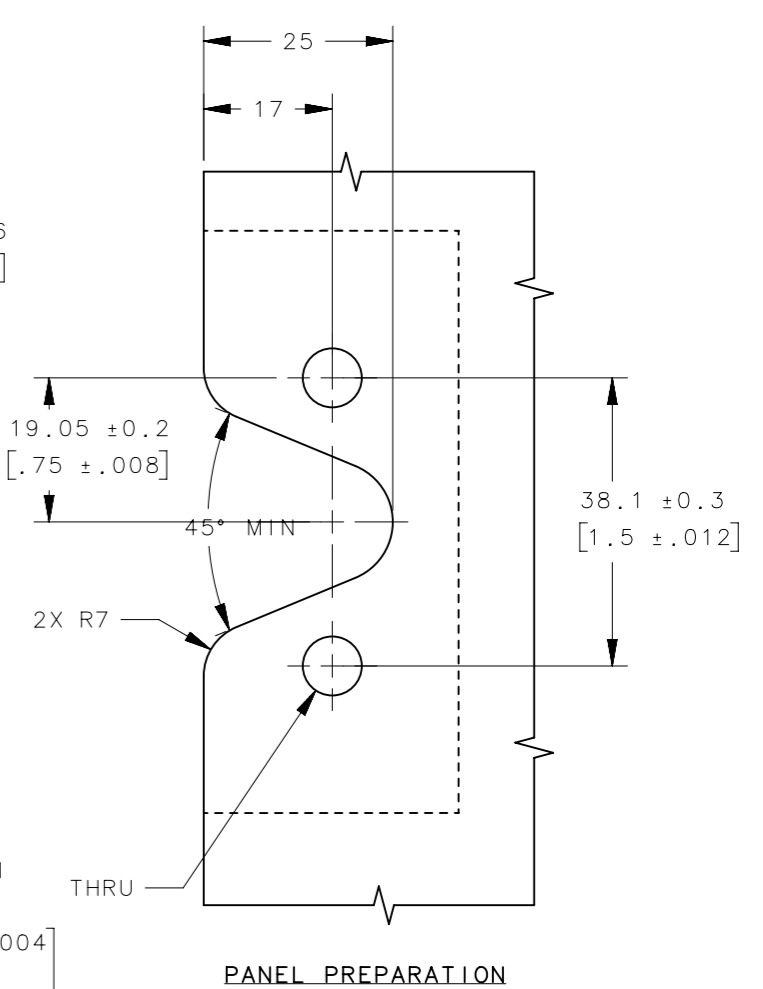
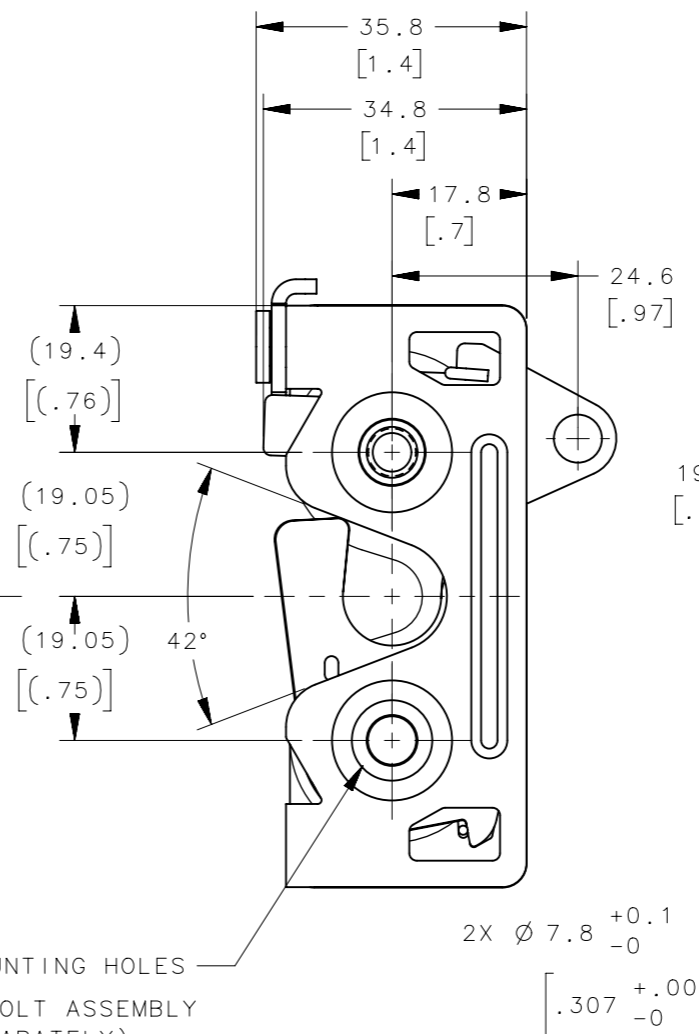
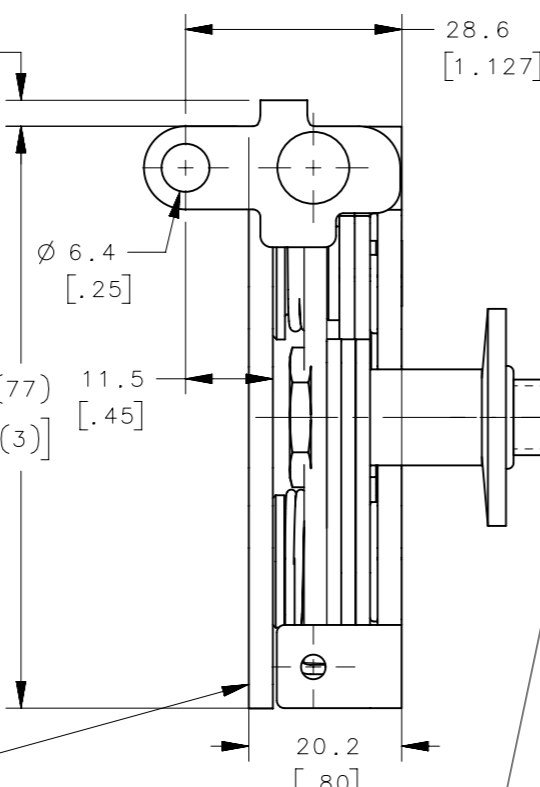
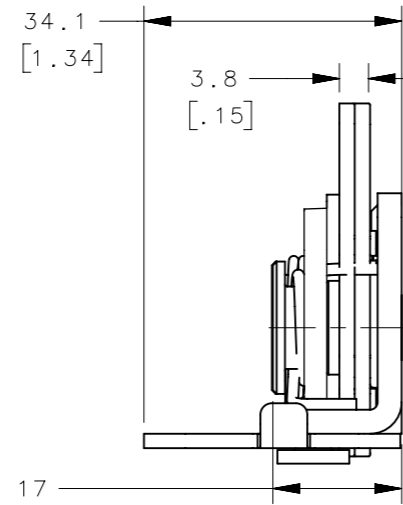
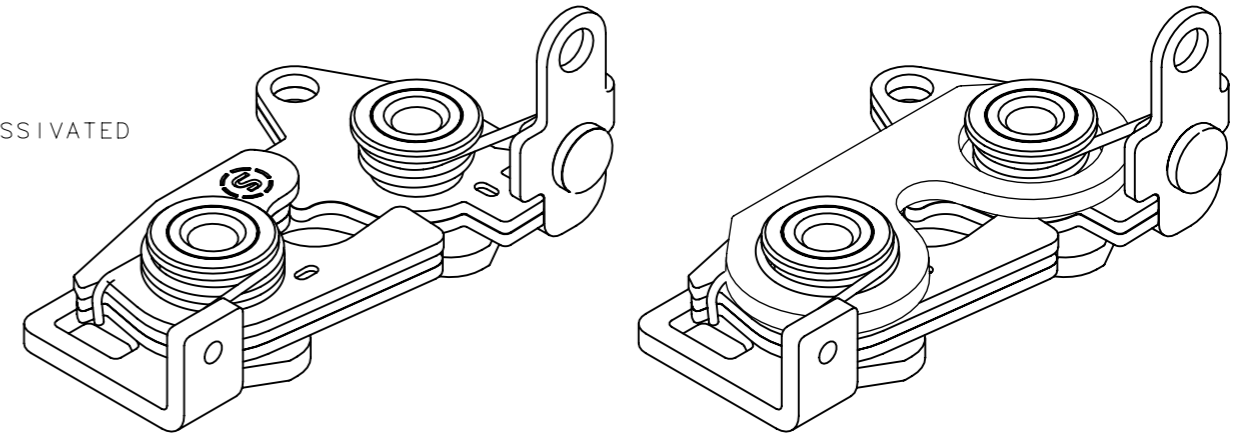
# R4-30-4 I -70 B -M

REVISION HISTORY			
REV	DATE	BY	DESCRIPTION
B	07APR2021	ABK/VK	PRN: P2021-0655

**I** MOUNTING OPTION  
 0 6.7 mm THRU HOLE  
 1 1/4-20 THREAD  
 2 M6 THREAD

**B** LATCHING  
 1 STANDARD  
 5 INTEGRATED BUMPER

**M** MATERIAL  
 20 STAINLESS STEEL, PASSIVATED



NOTES:

A. MATERIAL AND FINISH:

- HOUSING, LEVER AND INTERNAL COMPONENTS: STAINLESS STEEL, PASSIVATED
- PAWL AND TRIGGER: STAINLESS STEEL, PASSIVATED
- SPRING: STAINLESS STEEL, PASSIVATED

B. THE MISALIGNMENT VIEW ASSUMES THE LATCH IS CONNECTED TO A PERFECTLY RIGID DOOR AND HINGE; THEREFORE, THERE IS NO DOOR AND/OR HINGE SLACK ASSOCIATED WITH THESE DIMENSIONS, THE MISALIGNMENT VIEW DOES NOT TAKE FLEXING OF THE STRIKER BOLT INTO ACCOUNT.

OPTIONAL: (SOLD SEPARATELY)  
 SUPPORT PLATE (R4-38-101-20)  
 SEE J-R4-38-101-20 FOR DETAILS

STRIKER BOLT ASSEMBLY (SOLD SEPARATELY)  
 SEE J-R4-90-321 FOR DETAILS

THIRD ANGLE PROJECTION								
MILLIMETERS [IN]								
SURFACE AREA	TOLERANCES UNLESS OTHERWISE NOTED			DESCRIPTION R4 LATCH ASSEMBLY -DUAL TRIGGER LEFT HAND ACTUATION STAINLESS STEEL				
VOLUME	ALL DIMENSIONS WITHOUT TOLERANCES ARE FOR REFERENCE ONLY.							
PROPRIETARY ITEM	PER ASME Y14.5M-1994	SIZE A3	SYSTEM NX	DWG NO. J-R4-30-40-701-20	DRAWN BY RMO	DATE 25JAN2017	SCALE 1:1	SHEET 1 OF 1