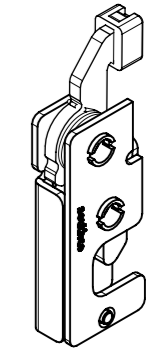


REVISION HISTORY			
REV	DATE	BY	DESCRIPTION
D	19FEB2018	RKS/VK	PRN: P2018-0325

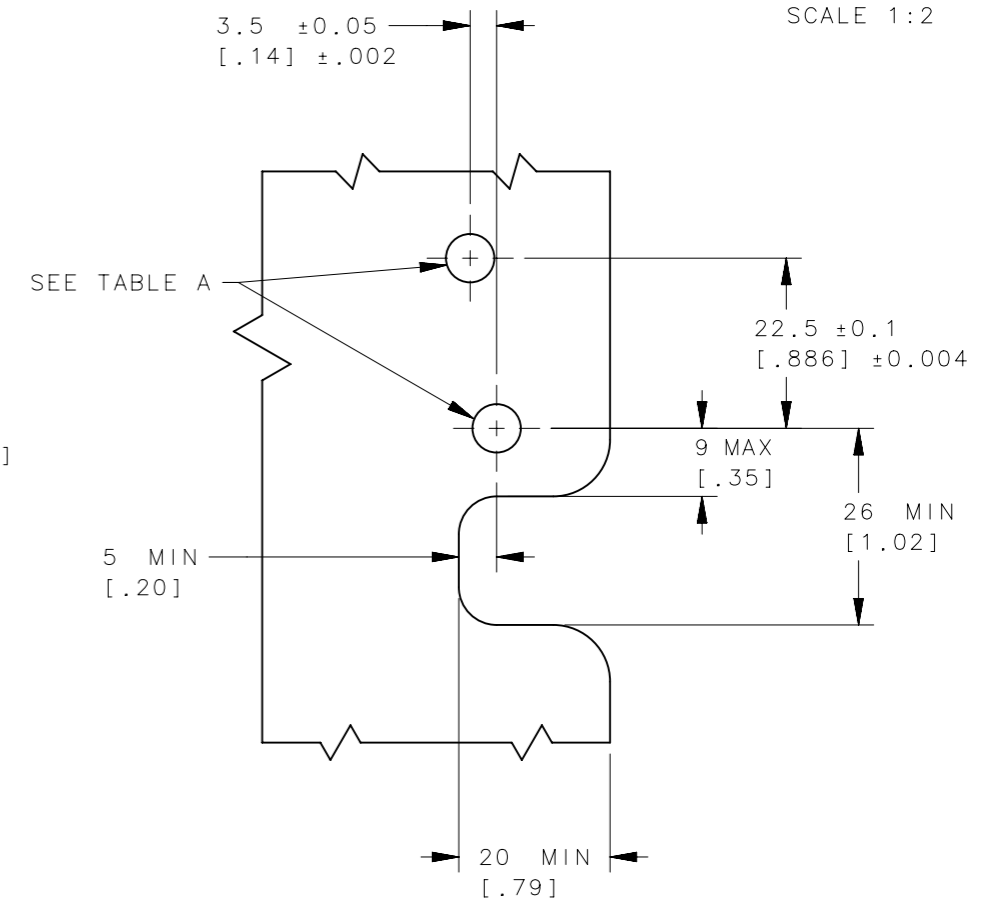
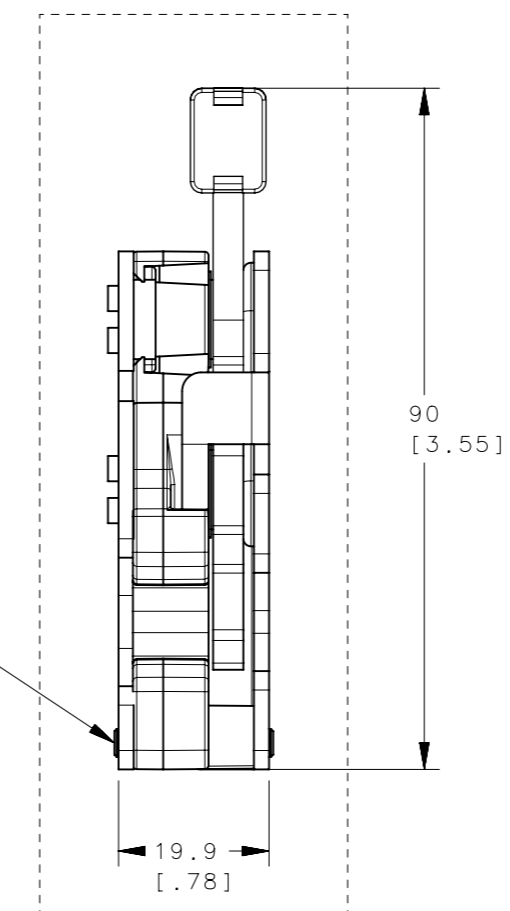
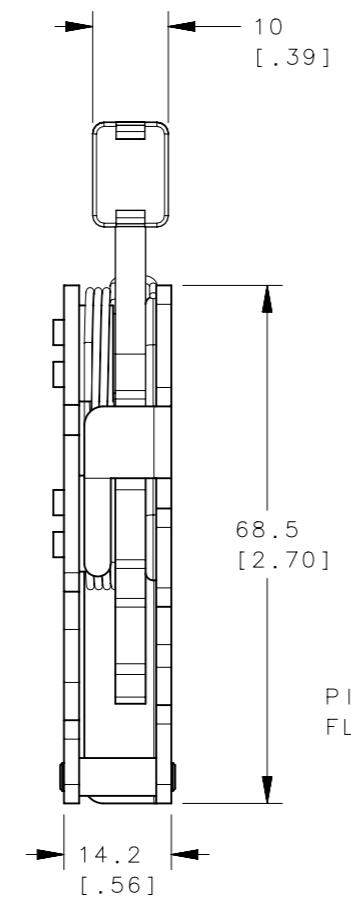
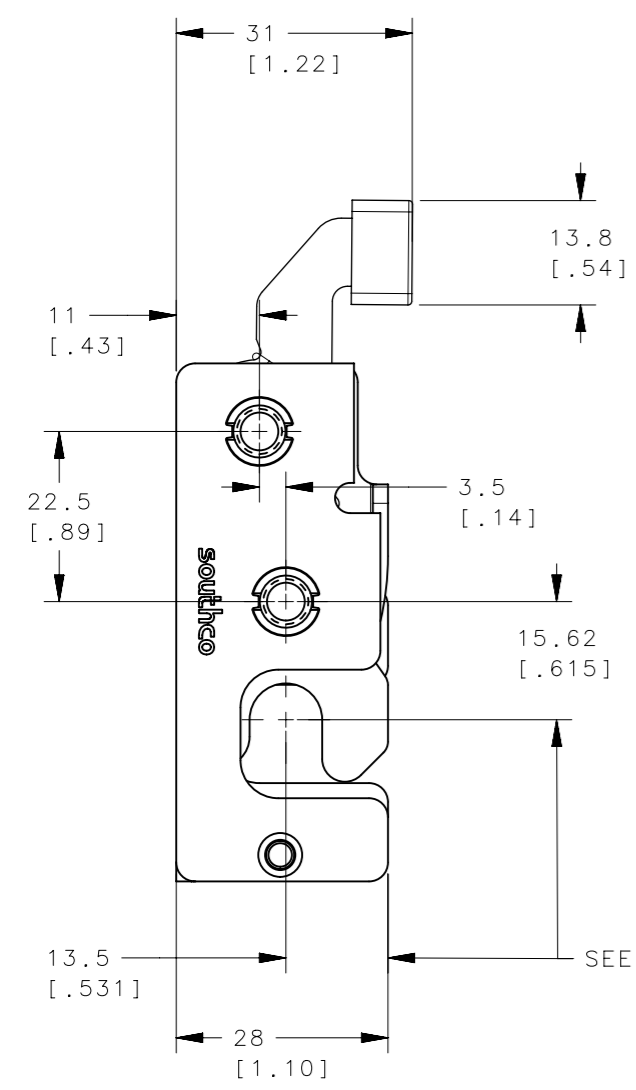


ISOMETRIC VIEW  
SCALE 1:2

STANDARD (NO BUMPER)

INTEGRATED BUMPER

PANEL PREPARATION



ASSEMBLY PART No.

R4-10-□-90□-□

- |  |   |  |   |
|--|---|--|---|
| <b>STAGE &amp; ACTUATION</b>                           | <b>MOUNTING STYLE</b>                               | <b>BUMPER OPTION</b>                                 | <b>MATERIAL</b>                           |
| 2- SINGLE STAGE, LEFT HAND<br>4- DUAL STAGE, LEFT HAND | 0- Ø 7.2 THRU<br>1- 1/4-20 THREAD<br>2- M6x1 THREAD | 1- STANDARD (WITHOUT BUMPER)<br>5- INTEGRATED BUMPER | 1- LOW CARBON STEEL<br>2- STAINLESS STEEL |

NOTES:

- A. THESE DIMENSIONS ARE REQUIRED FOR MOUNTING STRIKER BOLT.
- B: FINISH:  
LOW CARBON STEEL COMPONENTS: ZINC PLATE, BRIGHT CHROMATE  
STAINLESS STEEL COMPONENTS: PASSIVATED

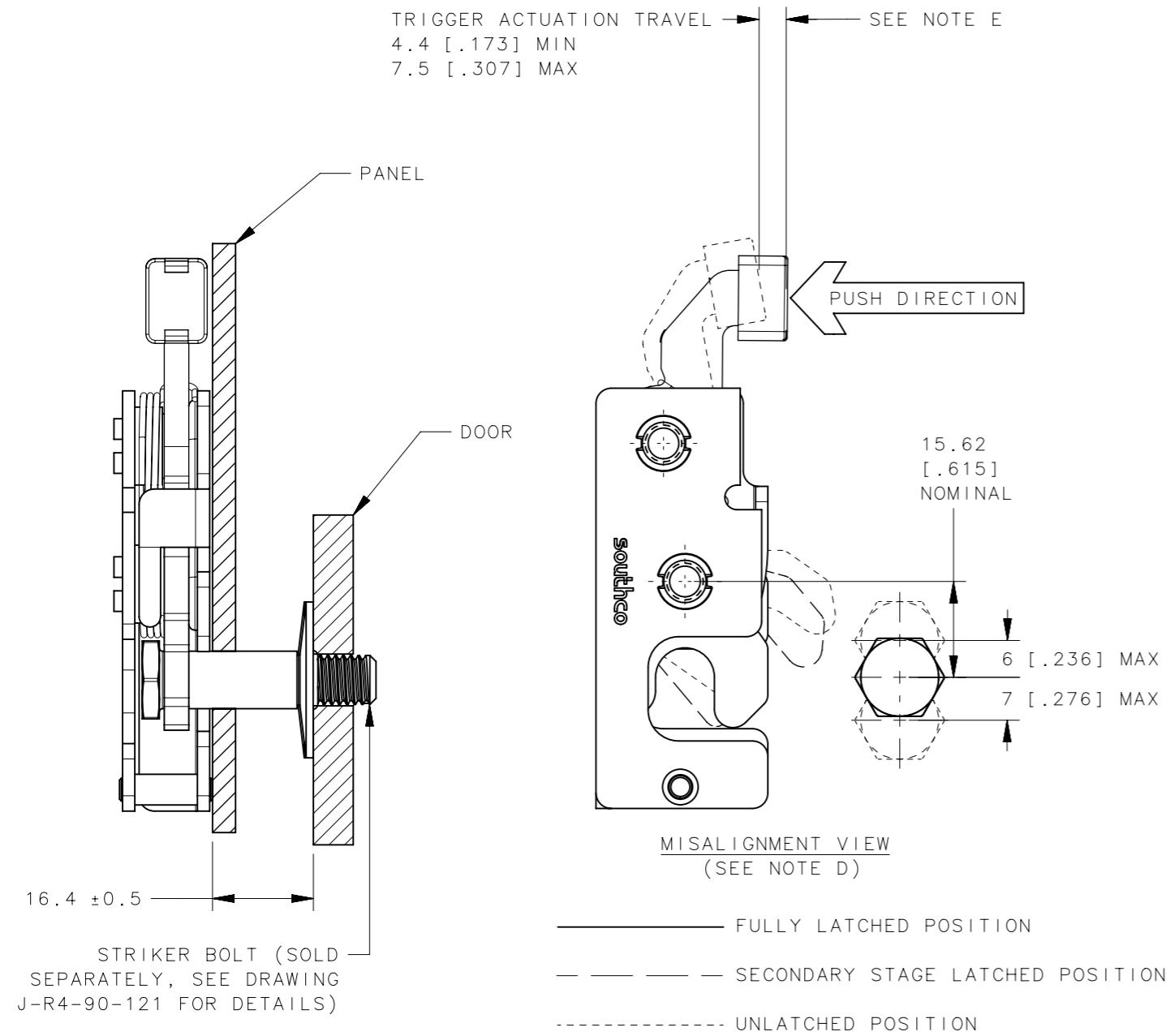
TABLE A	
MOUNTING STYLE	MINIMUM RECOMMENDED PANEL HOLE
Ø 7.2 THRU	Ø 7.6 [.299]
1/4-20 THREAD	Ø 6.8 [.268]
M6x1 THREAD	Ø 6.4 [.252]

THIRD ANGLE PROJECTION				
MILLIMETERS [IN]	DESCRIPTION			
TOLERANCES UNLESS OTHERWISE NOTED	R4-10 MINI ROTARY LATCH, DIRECT ACTUATION - LEFT HAND			
ALL DIMENSIONS WITHOUT TOLERANCES ARE FOR REFERENCE ONLY.	SIZE	SYSTEM	DWG NO.	
	A3	NX	J-R4-10-9L	
PER ASME Y14.5M-1994	DRAWN BY	DATE	SCALE	SHEET
	CMG/DGJ	04AUG2015	1:1	1 OF 2

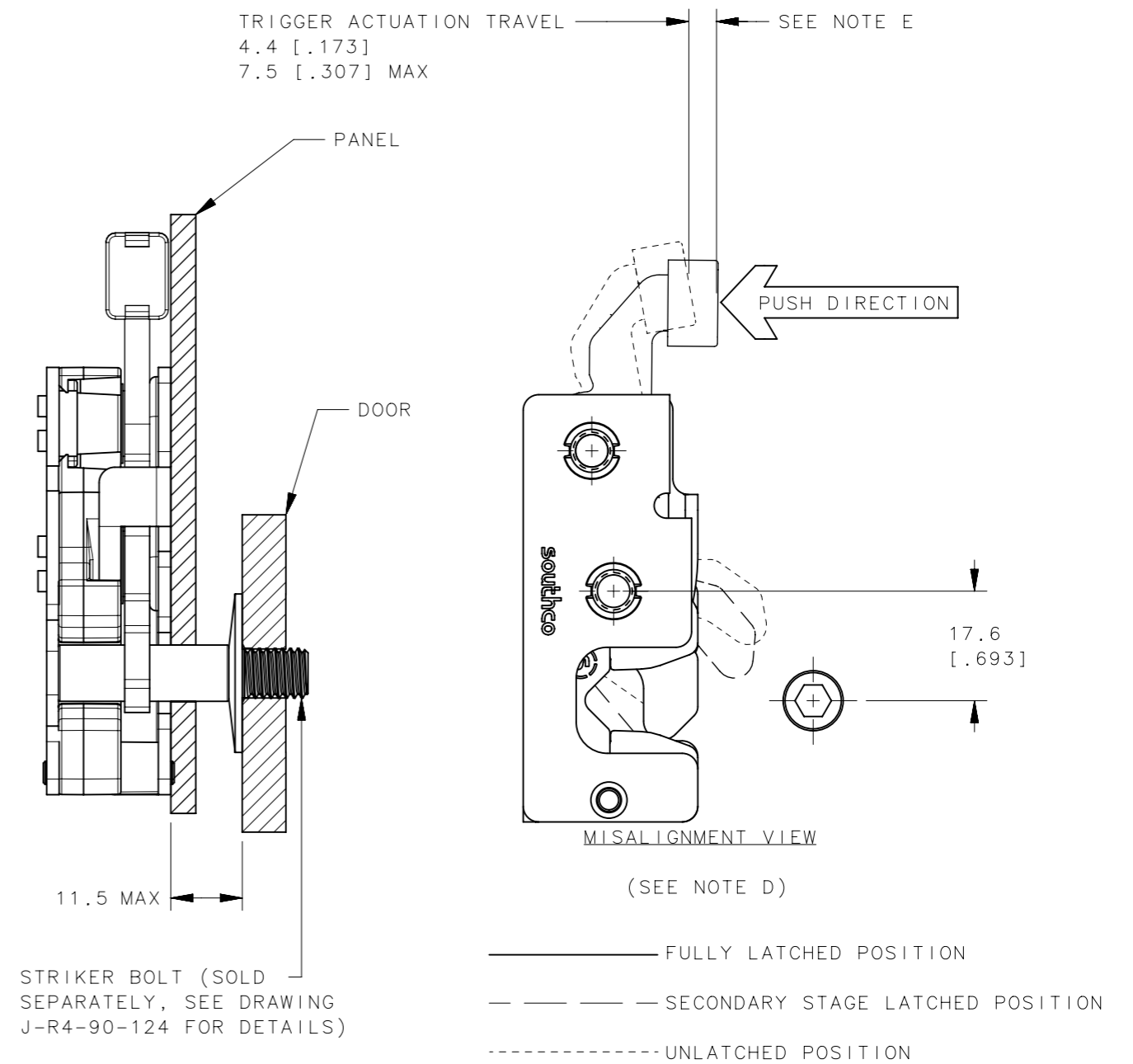
PROPRIETARY ITEM  
EXCEPT FOR USES EXPRESSLY GRANTED  
IN WRITING, INFORMATION DISCLOSED  
HEREON IS CONFIDENTIAL AND ALL  
RIGHTS, PATENT AND OTHERWISE,  
ARE RESERVED BY SOUTHCO, INC.

REVISION HISTORY			
REV	DATE	BY	DESCRIPTION
D	19FEB2018	RKS/VK	PRN: P2018-0325

### STANDARD (NO BUMPER)



### INTEGRATED BUMPER



**NOTES:**

C: THE TOLERANCE BETWEEN THE LATCH AND STRIKER BOLT ASSUMES A NON RIGID DOOR INSTALLATION THAT WILL ALLOW THE DOOR TO MOVE INTO THE NOMINAL POSITION DURING LATCHING. RIGID DOORS MUST HAVE THE STRIKER INSTALLED PER THE PANEL PREPARATION RECOMMENDATION.

D: THE MISALIGNMENT VIEW ASSUMES THE LATCH IS CONNECTED TO A PERFECTLY RIGID DOOR AND HINGE; THEREFORE, THERE IS NO DOOR AND/OR HINGE SLACK ASSOCIATED WITH THESE DIMENSIONS. THE MISALIGNMENT VIEW DOES NOT TAKE FLEXING OF THE STRIKER BOLT INTO ACCOUNT.

E: ADD ADDITIONAL 2 MILLIMETERS ACTUATION TRAVEL IF RUBBER BOOT REMOVED.

THIRD ANGLE PROJECTION				<b>southco</b> <sup>®</sup> CONNECT • CREATE • INNOVATE		
TOLERANCES UNLESS OTHERWISE NOTED		DESCRIPTION				
ALL DIMENSIONS WITHOUT TOLERANCES ARE FOR REFERENCE ONLY.		R4-10 MINI ROTARY LATCH, DIRECT ACTUATION - LEFT HAND				
PROPRIETARY ITEM	SIZE	SYSTEM	DWG NO.			
EXCEPT FOR USES EXPRESSLY GRANTED IN WRITING, INFORMATION DISCLOSED HEREON IS CONFIDENTIAL AND ALL RIGHTS, PATENT AND OTHERWISE, ARE RESERVED BY SOUTHCO, INC.	A3	NX	J-R4-10-9L			
PER ASME Y14.5M-1994	DRAWN BY	DATE	SCALE	SHEET		
	CMG/DGJ	04AUG2015	1:1	2 OF 2		