

6

5

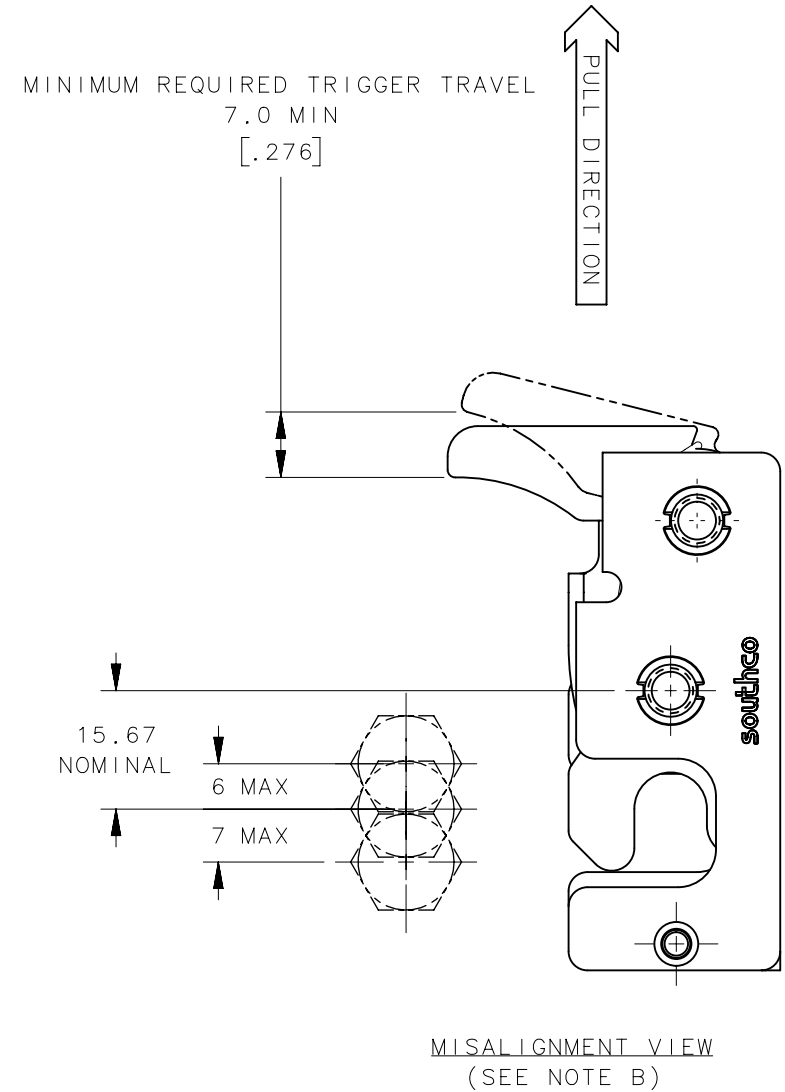
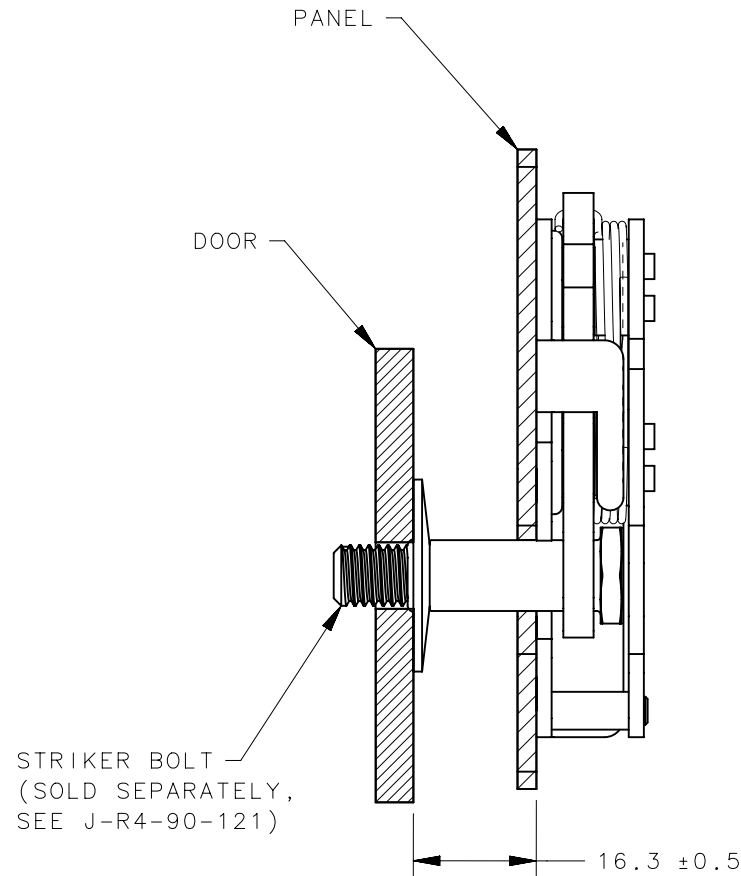
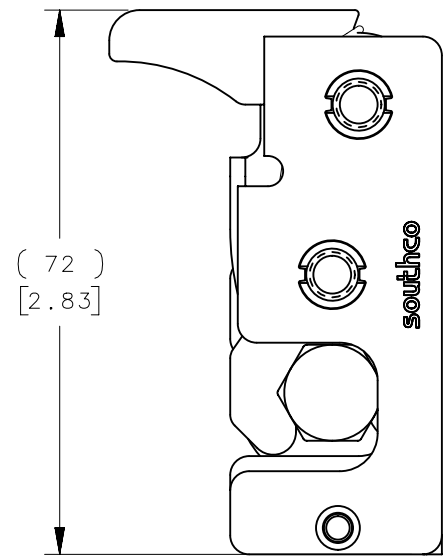
4

3

2

1

REVISION HISTORY			
REV	DATE	BY	DESCRIPTION
E	02MAR2016	ACH/DGJ	PRN:P2016-0415



NOTES:

- A. THE TOLERANCE BETWEEN THE LATCH AND STRIKER BOLT ASSUMES A NON-RIGID DOOR INSTALLATION THAT WILL ALLOW THE DOOR TO MOVE INTO THE NOMINAL POSITION DURING LATCHING. RIGID DOORS MUST HAVE THE STRIKER INSTALLED PER THE PANEL PREPARATION RECOMMENDATION.
- B. THE MISALIGNMENT VIEW ASSUMES THE LATCH IS CONNECTED TO A PERFECTLY RIGID DOOR AND HINGE; THEREFORE, THERE IS NO DOOR AND/OR HINGE SLACK ASSOCIATED WITH THESE DIMENSIONS. THE MISALIGNMENT VIEW DOES NOT TAKE FLEXING OF THE STRIKER BOLT INTO ACCOUNT.

PROPRIETARY ITEM EXCEPT FOR USES EXPRESSLY GRANTED IN WRITING, INFORMATION DISCLOSED HEREON IS CONFIDENTIAL AND ALL RIGHTS, PATENT AND OTHERWISE, ARE RESERVED BY SOUTHCO, INC.	THIRD ANGLE PROJECTION	southco [®]	
	MILLIMETERS [IN]	CONNECT • CREATE • INNOVATE	
	TOLERANCES UNLESS OTHERWISE NOTED	DESCRIPTION	
	ALL DIMENSIONS WITHOUT TOLERANCES ARE FOR REFERENCE ONLY.	R4 MINI ROTARY LATCH DIRECT ACTUATOR - RIGHT HAND	
PER ASME Y14.5M-1994	SIZE B	SYSTEM NX	DWG NO. J-R4-10-10-401
	DRAWN BY ACH/JCK	DATE 10NOV2010	SCALE 1:1
			SHEET 2 OF 2

6

5

4

3

2

1