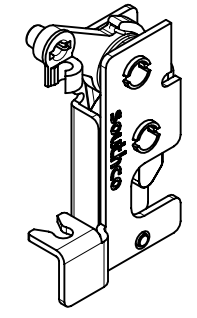
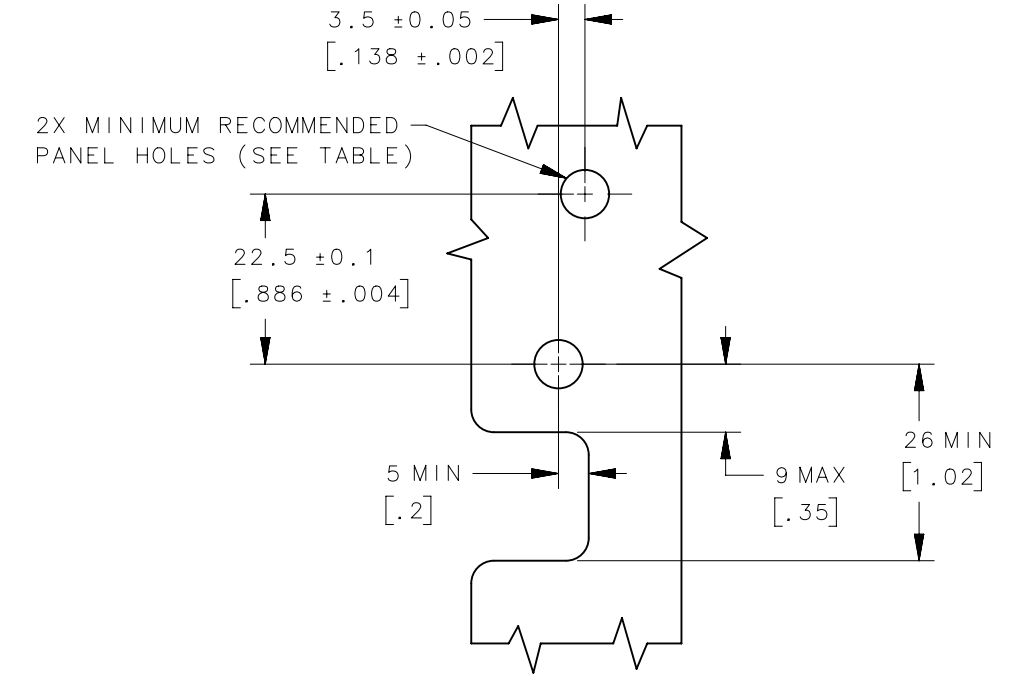
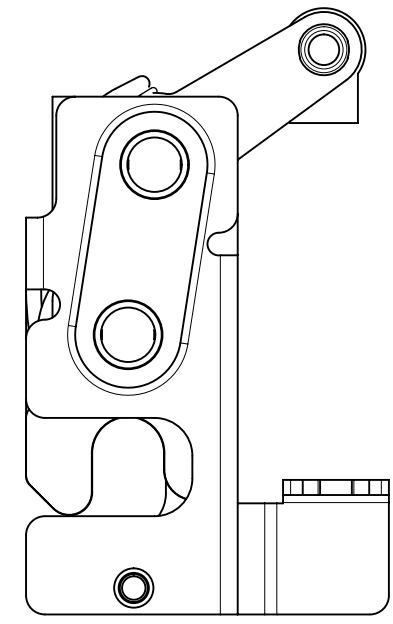
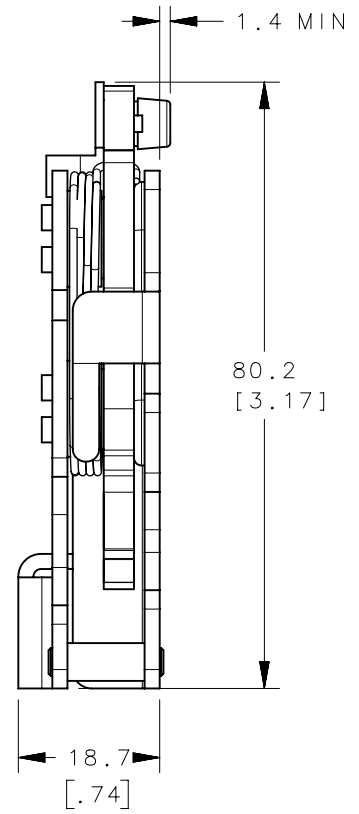
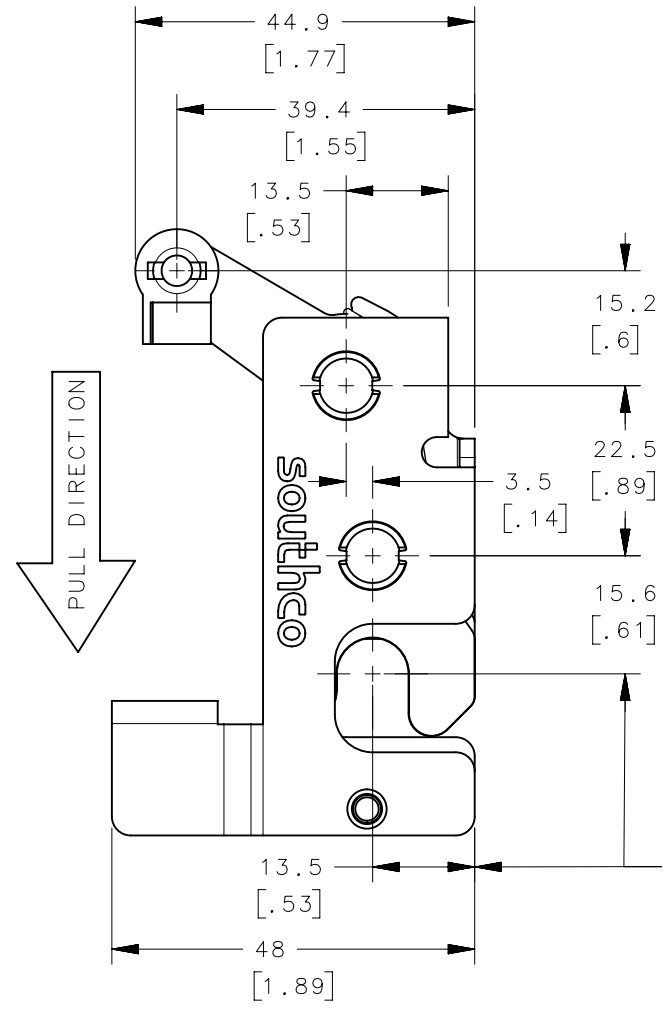


REVISION HISTORY			
REV	DATE	BY	DESCRIPTION
A	19SEP2019	MBT/DMS	PRN: P2019-2361



ISOMETRIC VIEW  
SCALE 1:2



PANEL PREPARATION

R4-10-42-502-20	M6 THREAD	∅ 6.4 [.252]	DUAL
R4-10-41-502-20	1/4-20 THREAD	∅ 6.8 [.268]	DUAL
R4-10-40-502-20	∅ 7.2 THRU	∅ 7.6 [.299]	DUAL
R4-10-22-502-20	M6 THREAD	∅ 6.4 [.252]	SINGLE
R4-10-21-502-20	1/4-20 THREAD	∅ 6.8 [.268]	SINGLE
R4-10-20-502-20	∅ 7.2 THRU	∅ 7.6 [.299]	SINGLE
PART NUMBER	MOUNTING STYLE	MIN. PANEL HOLE	STAGE

THIRD ANGLE PROJECTION		<b>southco</b> <sup>®</sup> CONNECT • CREATE • INNOVATE	
MILLIMETERS [IN]			
TOLERANCES UNLESS OTHERWISE NOTED		DESCRIPTION R4-10 MINI ROTARY LATCH WITH INTEGRATED BRACKET - LEFT HAND	
ALL DIMENSIONS WITHOUT TOLERANCES ARE FOR REFERENCE ONLY.		SIZE B	SYSTEM NX
PER ASME Y14.5M-1994		DWG NO. J-R4-10-20-502-20	DATE 19SEP2019
DRAWN BY MBT/DMS		SCALE 1:1	SHEET 1 OF 2

NOTES:  
A. MATERIAL AND FINISH  
-HOUSING, LEVER AND INTERNAL COMPONENTS: 300 SERIES STAINLESS STEEL  
-LINK RETAINER: ACETAL  
B. FOR STEEL VERSION SEE J-R4-10-20-502  
C. THESE DIMENSIONS ARE REQUIRED FOR MOUNTING STRIKER BOLT.

EXCEPT FOR USES EXPRESSLY GRANTED IN WRITING, INFORMATION DISCLOSED HEREON IS CONFIDENTIAL AND ALL RIGHTS, PATENT AND OTHERWISE, ARE RESERVED BY SOUTHCO, INC.

6

5

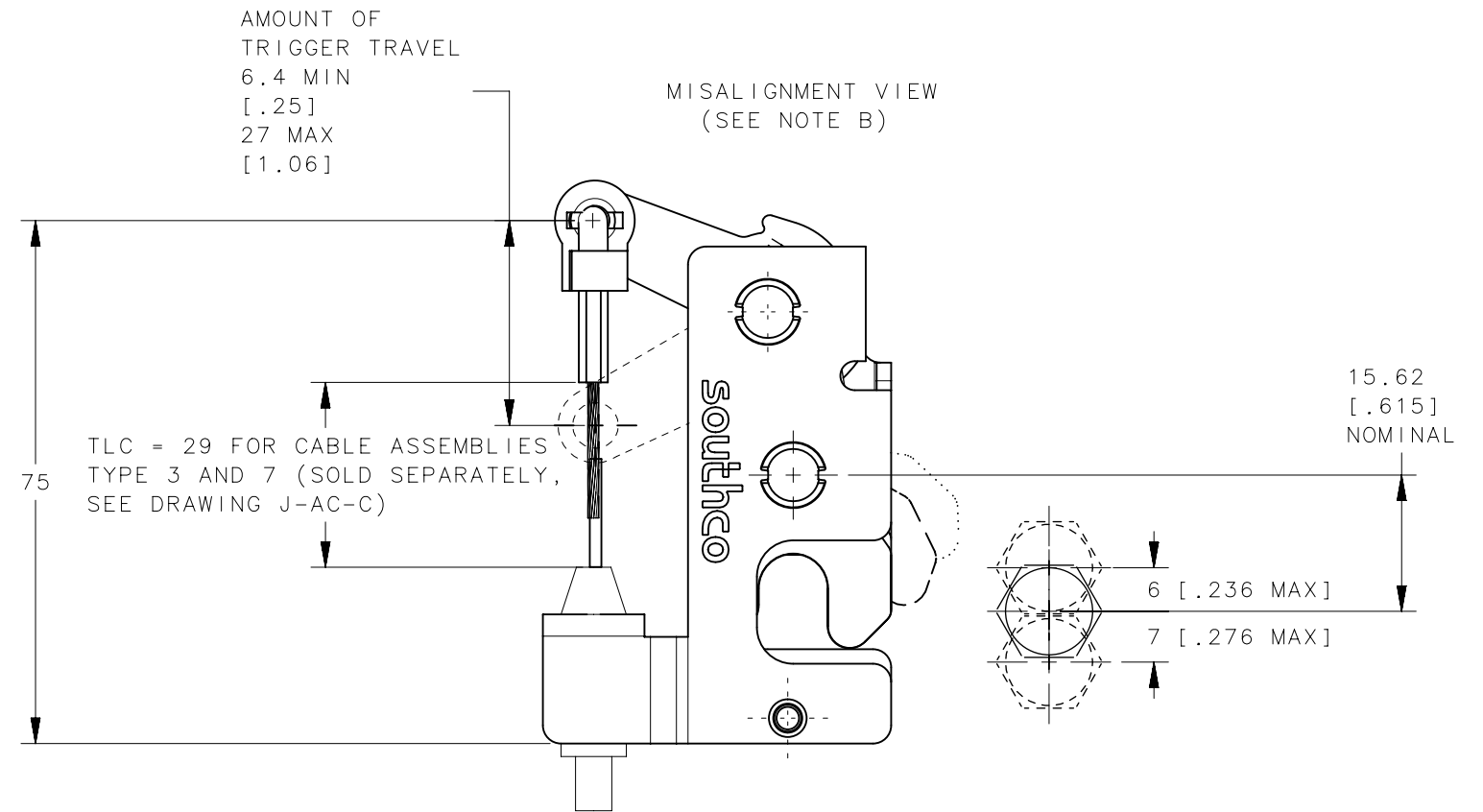
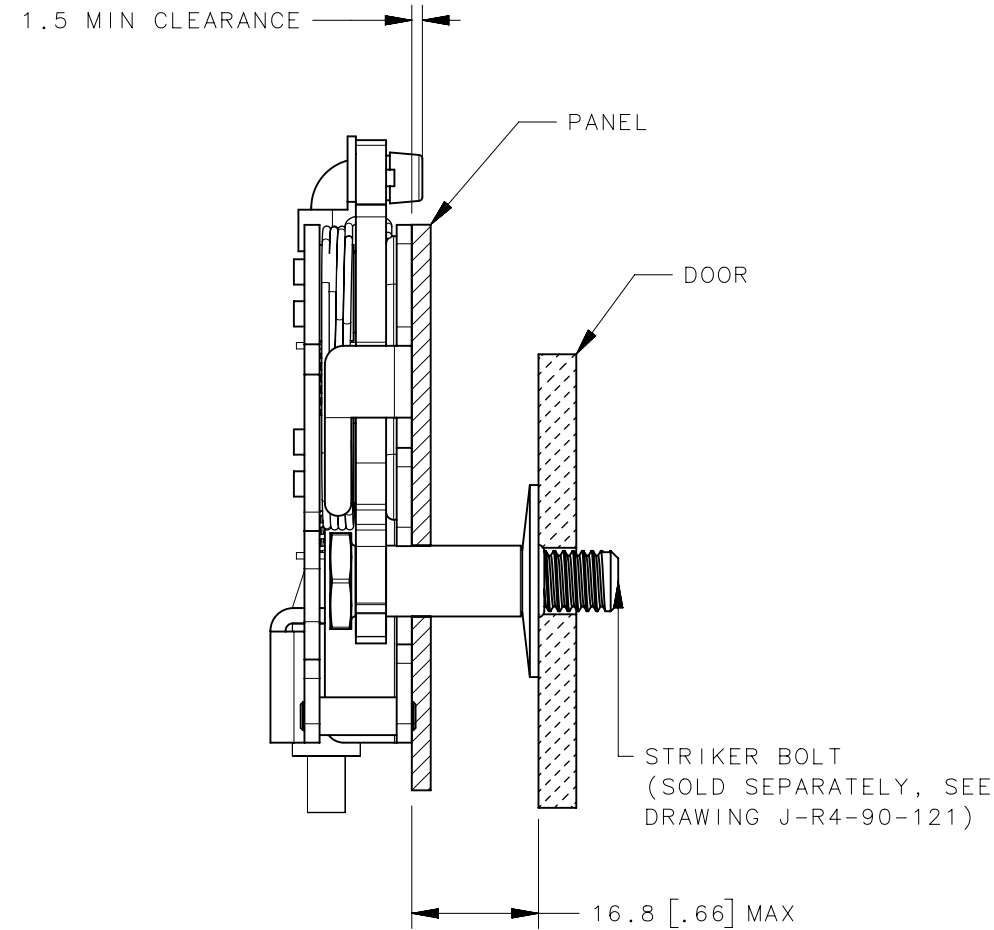
4

3

2

1

REVISION HISTORY			
REV	DATE	BY	DESCRIPTION
A	19SEP2019	MBT/DMS	PRN: P2019-2361



- FULLY LATCHED POSITION
- SECONDARY LATCHED POSITION
- ..... UNLATCHED POSITION

NOTES:

- A. THE TOLERANCE BETWEEN THE LATCH AND STRIKER BOLT ASSUMES A NON-RIGID DOOR INSTALLATION THAT WILL ALLOW THE DOOR TO MOVE INTO THE NOMINAL POSITION DURING LATCHING. RIGID DOORS MUST HAVE THE STRIKER INSTALLED PER THE PANEL PREPARATION RECOMMENDATION.
- B. THE MISALIGNMENT VIEW ASSUMES THE LATCH IS CONNECTED TO A PERFECTLY RIGID DOOR AND HINGE; THEREFORE, THERE IS NO DOOR AND/OR HINGE SLACK ASSOCIATED WITH THESE DIMENSIONS. THE MISALIGNMENT VIEW DOES NOT TAKE FLEXING OF THE STRIKER BOLT INTO ACCOUNT.

	THIRD ANGLE PROJECTION	<b>southco</b> <sup>®</sup> CONNECT • CREATE • INNOVATE		
	MILLIMETERS [IN]			
SURFACE AREA	mm <sup>2</sup>	DESCRIPTION R4-10 MINI ROTARY LATCH WITH INTEGRATED BRACKET - LEFT HAND		
VOLUME	mm <sup>3</sup>			
PROPRIETARY ITEM	EXCEPT FOR USES EXPRESSLY GRANTED IN WRITING, INFORMATION DISCLOSED HEREON IS CONFIDENTIAL AND ALL RIGHTS, PATENT AND OTHERWISE, ARE RESERVED BY SOUTHCO, INC.	SIZE B	SYSTEM NX	DWG NO. J-R4-10-20-502-20
	PER ASME Y14.5M-1994	DRAWN BY MBT/DMS	DATE 19SEP2019	SCALE 1:1
				SHEET 2 OF 2

6

5

4

3

2

1