

6

5

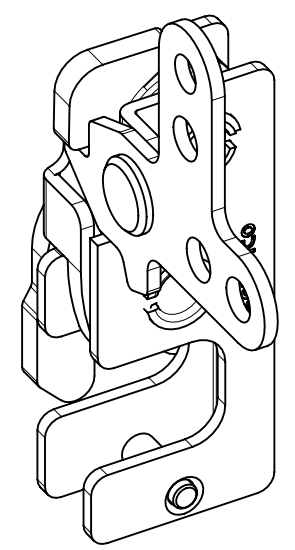
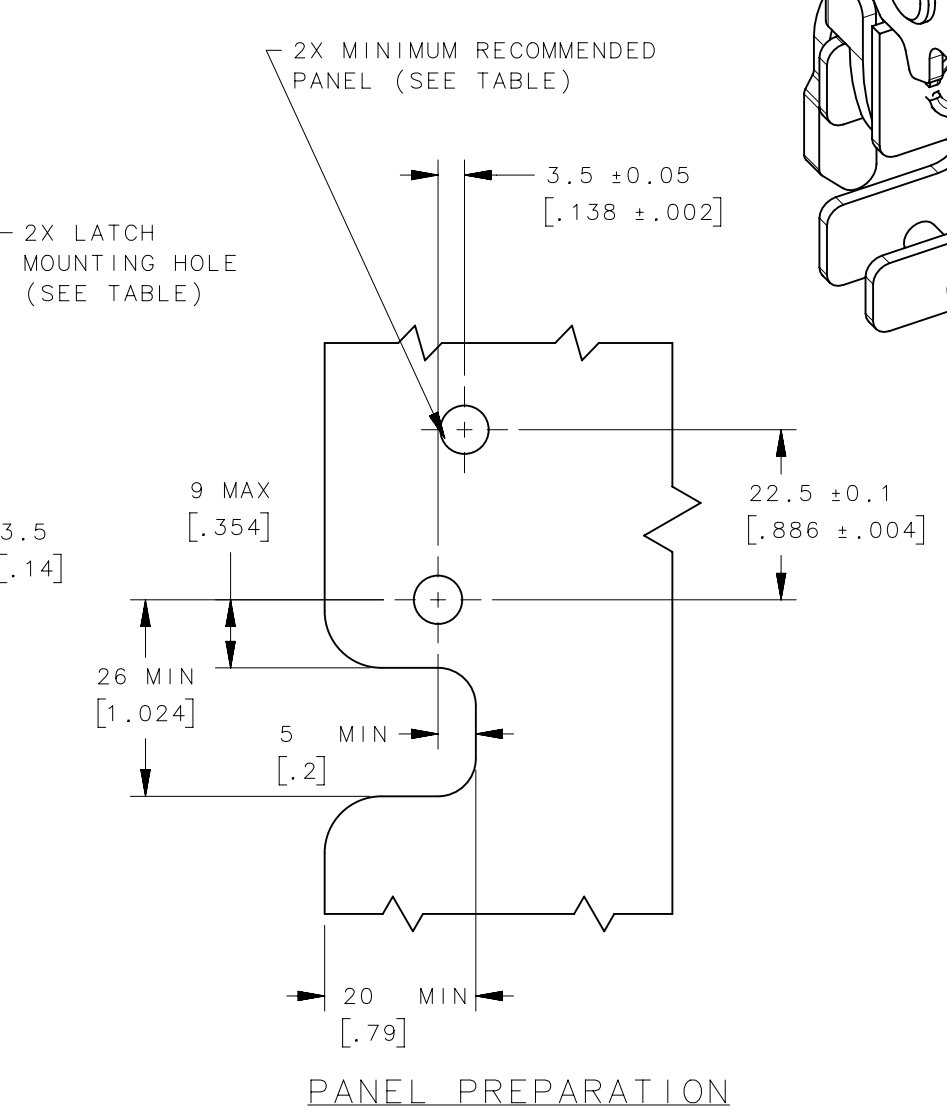
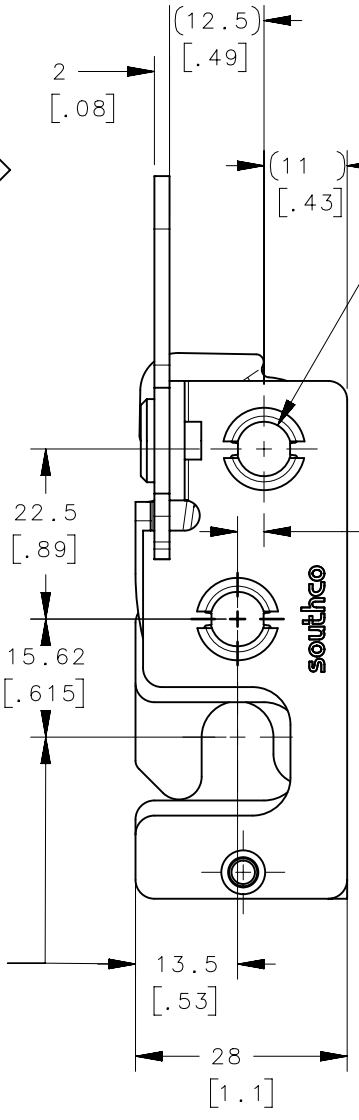
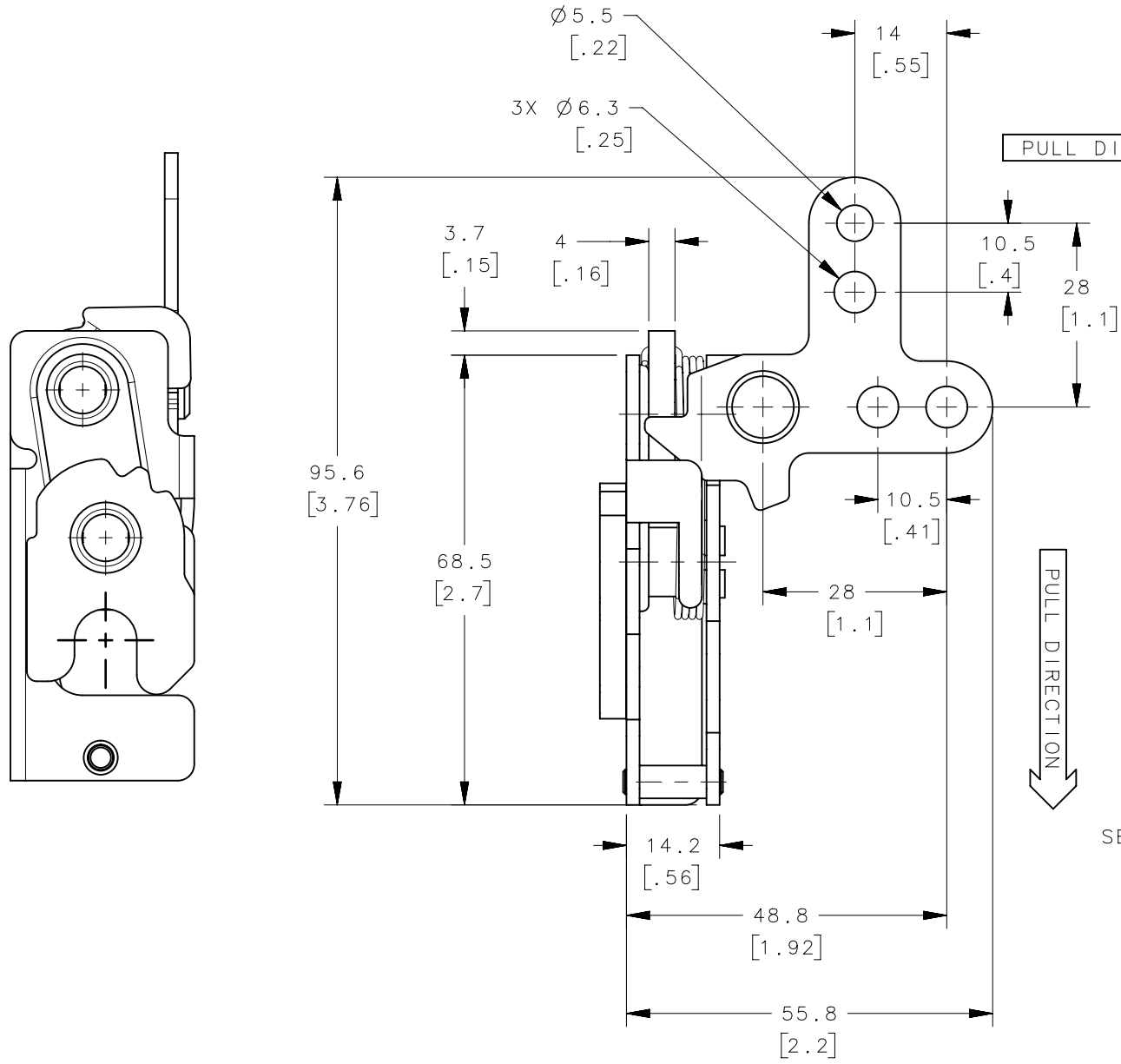
4

3

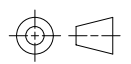
2

1

REVISION HISTORY			
REV	DATE	BY	DESCRIPTION
B	29JUL2021	KSH/HPD	PRN: P2021-1536



- NOTES:
- A. MATERIAL AND FINISH:
- ALL PARTS STAINLESS STEEL,
 - B. THESE DIMENSIONS REQUIRED FOR MOUNTING STRIKER BOLT.
 - C. Ø6.3 (.25) LEVER HOLES USE OPTIONAL CABLE RETAINER R4-0-43922 SOLD SEPARATELY.

R4-10-30-301-20	Ø 7.2mm THRU	Ø 7.6 [.299]	SEE NOTE A	SEE NOTE A
R4-10-31-301-20	1/4-20 THREAD	Ø 6.8 [.268]		
R4-10-32-301-20	M6 THREAD	Ø 6.4 [.252]		
ASSEMBLY PART NUMBER	LATCH MOUNTING HOLE	MINIMUM RECOMMENDED PANEL HOLE	MATERIAL	FINISH
	THIRD ANGLE PROJECTION			
	MILLIMETERS [IN]			
	TOLERANCES UNLESS OTHERWISE NOTED	southco® CONNECT • CREATE • INNOVATE		
	ALL DIMENSIONS WITHOUT TOLERANCES ARE FOR REFERENCE ONLY.	DESCRIPTION R4 SS MINI TWO STAGE ROTARY LATCH TWO POINT- RIGHT HAND		
PROPRIETARY ITEM EXCEPT FOR USES EXPRESSLY GRANTED IN WRITING, INFORMATION DISCLOSED HEREON IS CONFIDENTIAL AND ALL RIGHTS, PATENT AND OTHERWISE, ARE RESERVED BY SOUTHCO, INC.	PER ASME Y14.5M-1994	SIZE B	SYSTEM NX	DWG NO. J-R4-10-30-301-20
		DRAWN BY YSN/ACH	DATE 26APR2012	SCALE 1:1
				SHEET 1 OF 2

6

5

4

3

2

1

6

5

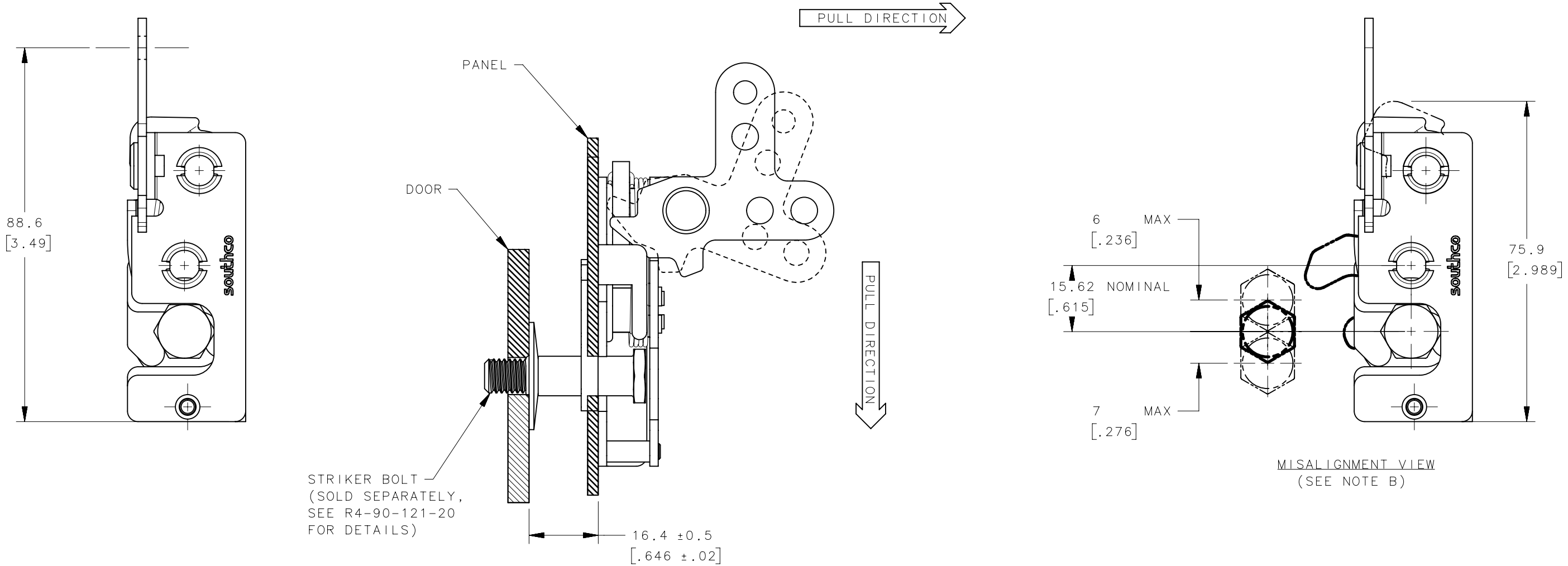
4

3

2

1

REVISION HISTORY			
REV	DATE	BY	DESCRIPTION
B	29JUL2021	KSH/HPD	PRN: P2021-1536



- NOTES:
- A. THE TOLERANCE BETWEEN THE LATCH AND STRIKER BOLT ASSUMES A NON-RIGID DOOR INSTALLATION THAT WILL ALLOW THE DOOR TO MOVE INTO THE NOMINAL POSITION DURING LATCHING. RIGID DOORS MUST HAVE THE STRIKER INSTALLED PER THE PANEL PREPARATION RECOMMENDATION.
 - B. THE MISALIGNMENT VIEW ASSUMES THE LATCH IS CONNECTED TO A PERFECTLY RIGID DOOR AND HINGE; THEREFORE, THERE IS NO DOOR AND/OR HINGE SLACK ASSOCIATED WITH THESE DIMENSIONS. THE MISALIGNMENT VIEW DOES NOT TAKE FLEXING OF THE STRIKER BOLT INTO ACCOUNT.

<p>THIRD ANGLE PROJECTION </p> <p>MILLIMETERS [IN]</p> <p>TOLERANCES UNLESS OTHERWISE NOTED</p> <p>ALL DIMENSIONS WITHOUT TOLERANCES ARE FOR REFERENCE ONLY.</p> <p>PER ASME Y14.5M-1994</p>	southco [®]		CONNECT • CREATE • INNOVATE	
	DESCRIPTION R4 SS MINI TWO STAGE ROTARY LATCH TWO POINT - RIGHT HAND			
	SIZE B	SYSTEM NX	DWG NO. J-R4-10-30-301-20	
	DRAWN BY YSN/ACH	DATE 26APR2012	SCALE 1:1	SHEET 2 OF 2

6

5

4

3

2

1