

R4-05-SI-LOB-10

REVISION HISTORY			
REV	DATE	BY	DESCRIPTION
D	01FEB2021	MBT/DMS	PRN: P2021-0217

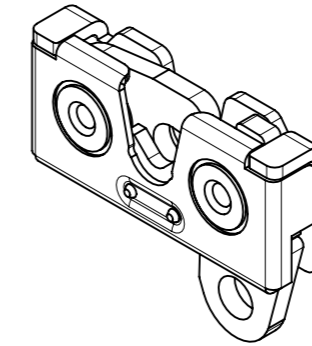
- | | | | |
|--|---|---|--|
| [S] LATCHING
2 SINGLE STAGE
4 TWO STAGE | [I] MOUNTING OPTION
0 4.5MM THROUGH HOLE
1 8-32 UNC THREAD
2 M4x0.7 THREAD
3 4.5MM THRU HOLE WITH MOUNTING BRACKET | [L] LATCH SERIES
4 HAND ACTUATED
5 BOTTOM ACTUATED | [B] LATCHING
1 STANDARD
5 INTEGRATED BUMPER |
|--|---|---|--|

BOTTOM ACTUATED

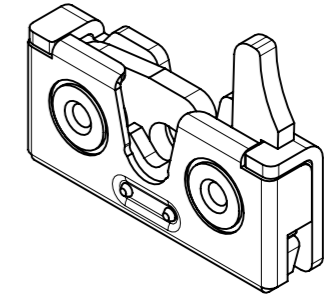
- 4 MOUNTING OPTIONS
- UPWARDS RELEASE, RIGHT HAND
 - DOWNWARDS RELEASE, RIGHT HAND
 - UPWARDS RELEASE, LEFT HAND
 - DOWNWARDS RELEASE, LEFT HAND

HAND ACTUATED

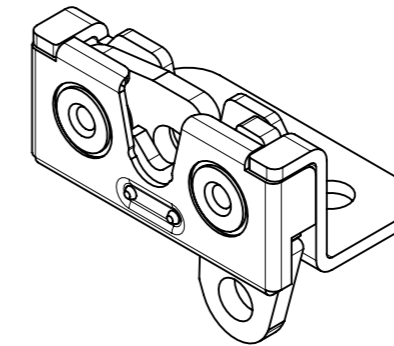
- 4 MOUNTING OPTIONS
- UPWARDS RELEASE, RIGHT HAND
 - DOWNWARDS RELEASE, RIGHT HAND
 - UPWARDS RELEASE, LEFT HAND
 - DOWNWARDS RELEASE, LEFT HAND



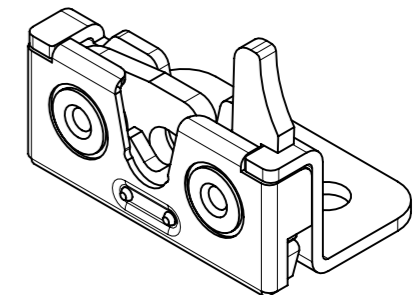
ISO VIEW
BOTTOM ACTUATED



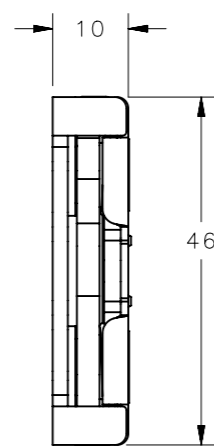
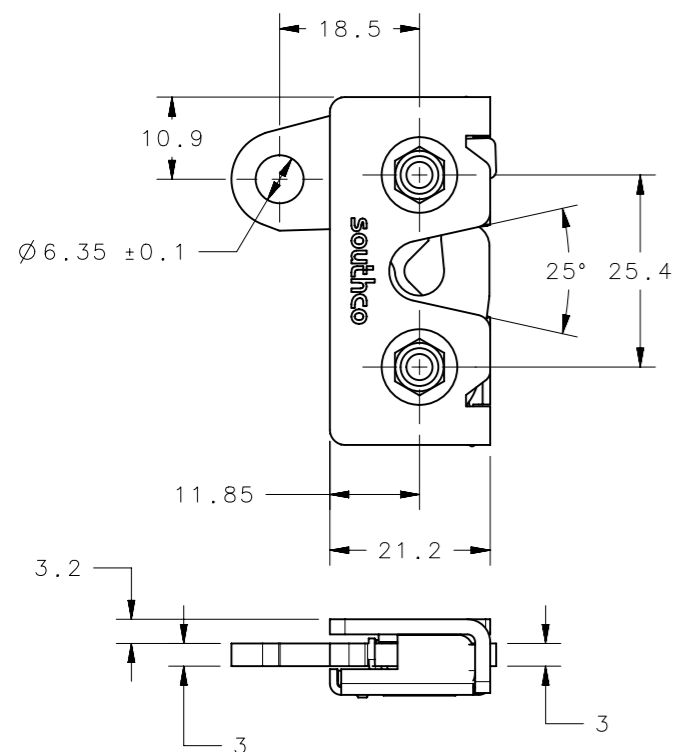
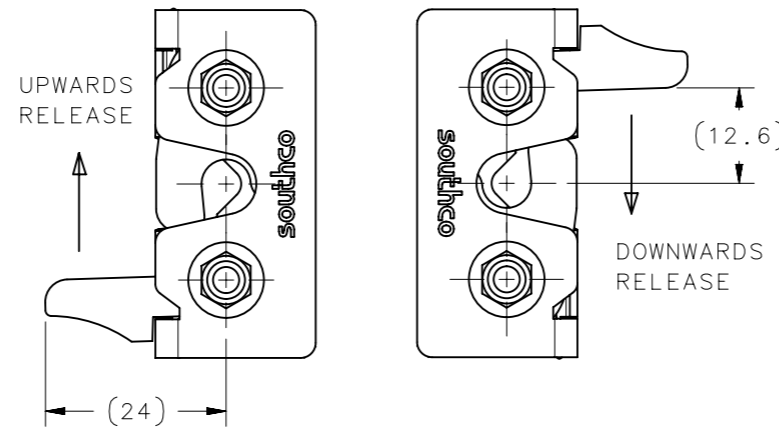
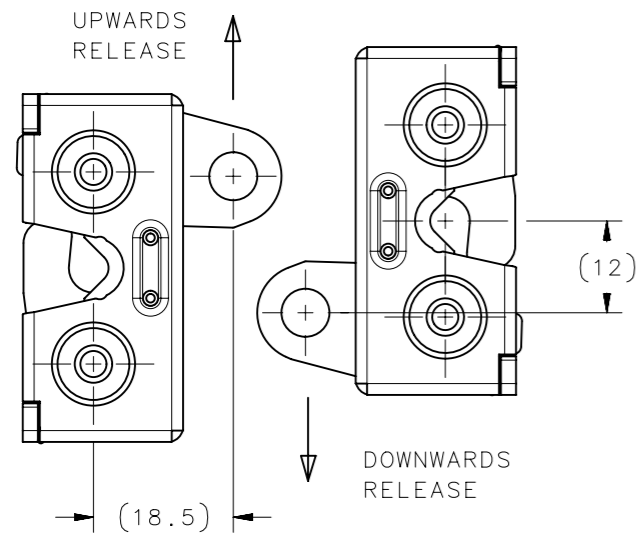
ISO VIEW
HAND ACTUATED



BOTTOM ACTUATED WITH
MOUNTING BRACKET OPTION



HAND ACTUATED WITH
MOUNTING BRACKET OPTION

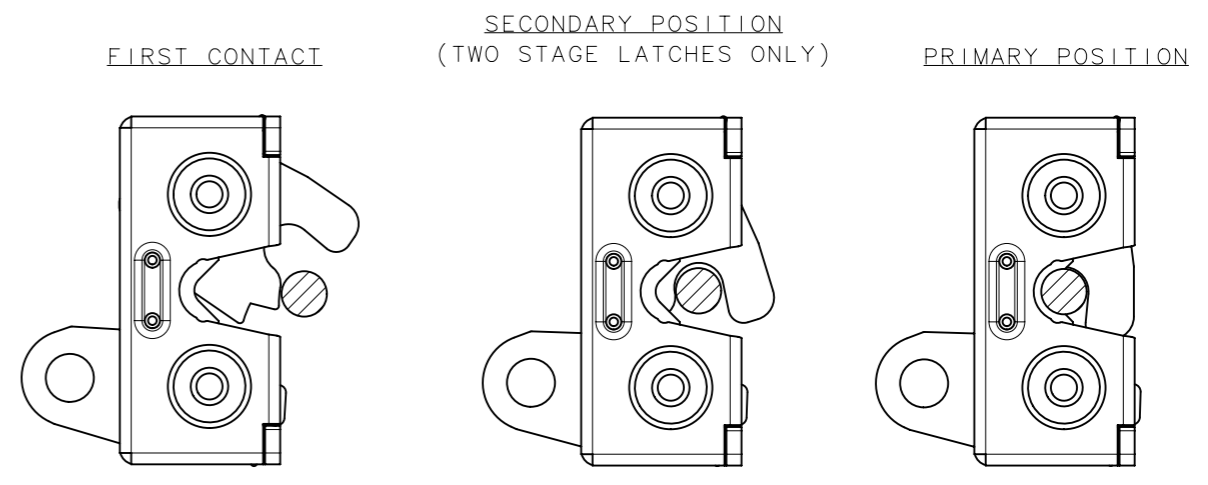
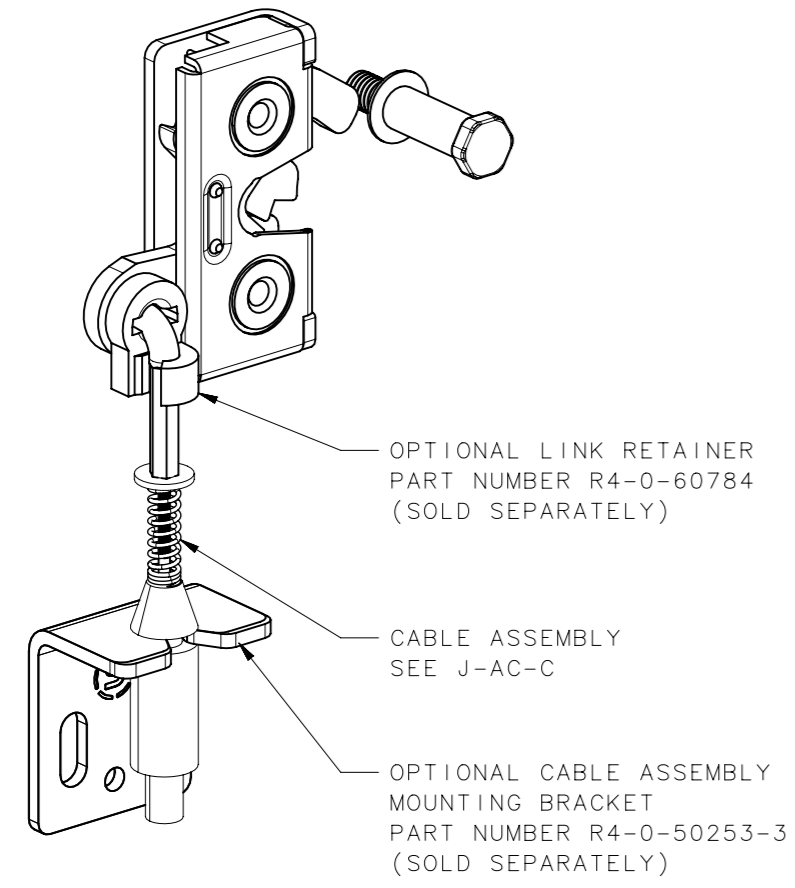
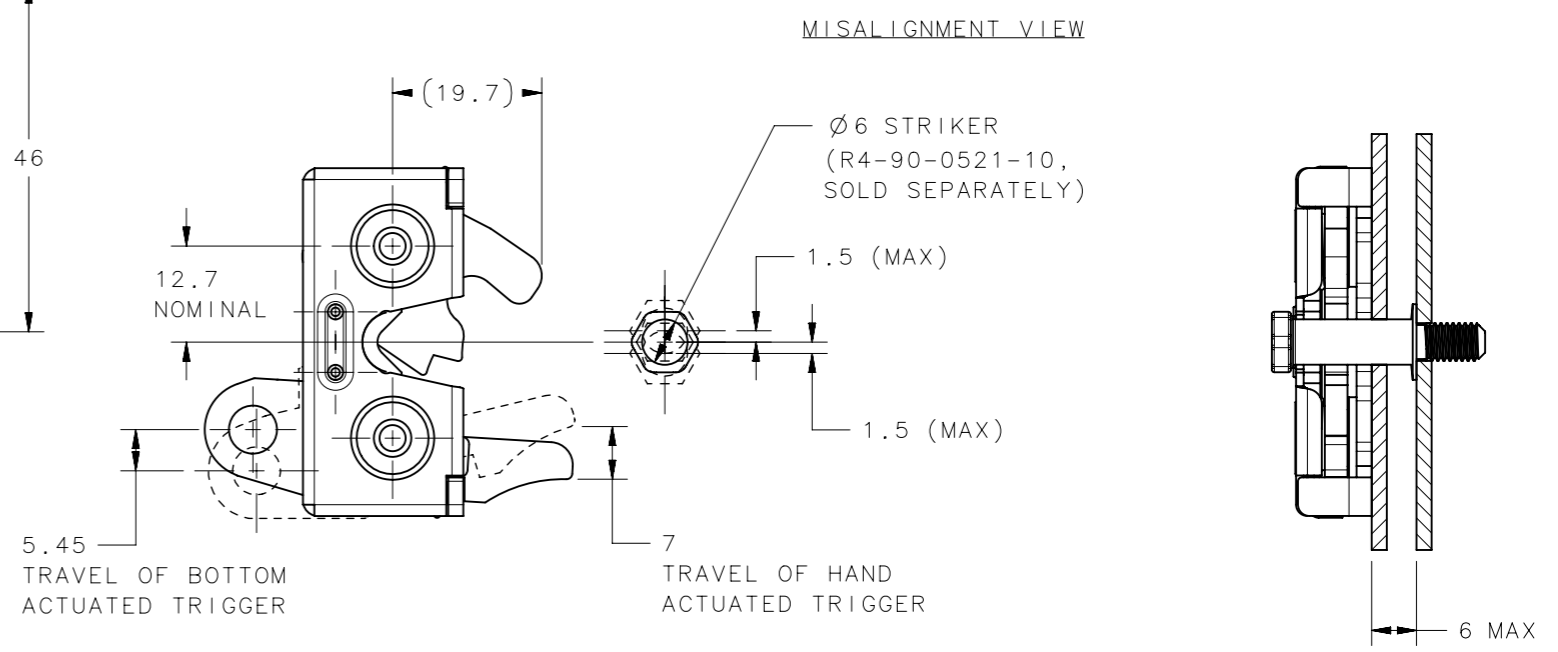
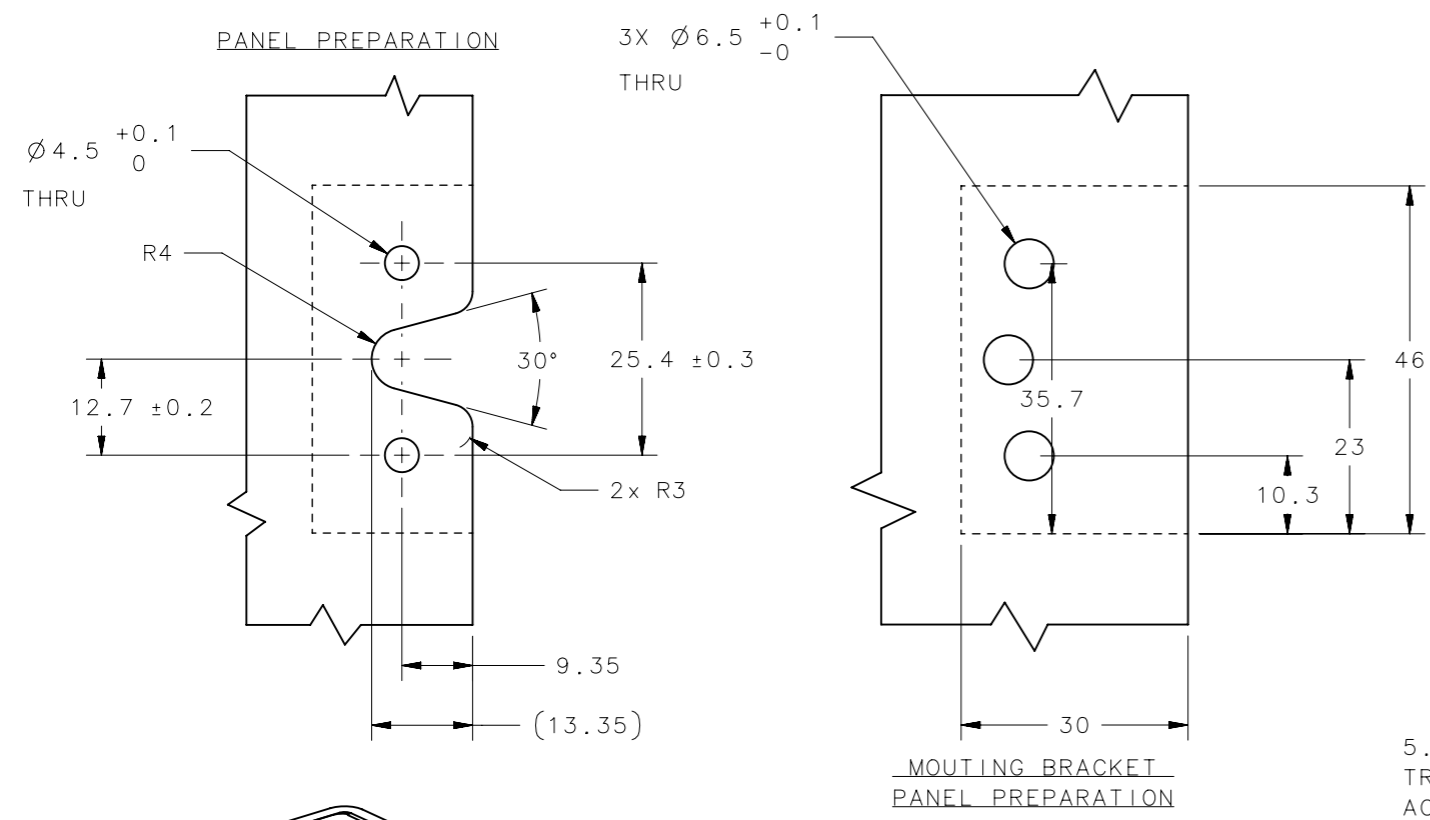


NOTES

- MATERIALS AND FINISH, STEEL;
HOUSINGS: STEEL, ZINC PLATED, BRIGHT CHROMATE
PAWL AND TRIGGER: HARDENED STEEL
SPRING: STAINLESS STEEL, PASSIVATED
BUMPER: EPDM
- SCREW MOUNTING TIGHTENING TORQUE: MAXIMUM 4Nm
- SEE TD-R4-05-J FOR TEST DATA

THIRD ANGLE PROJECTION				 CONNECT · CREATE · INNOVATE		
TOLERANCES UNLESS OTHERWISE NOTED				DESCRIPTION		
ALL DIMENSIONS WITHOUT TOLERANCES ARE FOR REFERENCE ONLY.				R4-05 ROTARY LATCH		
PROPRIETARY ITEM	SIZE	SYSTEM	DWG NO.	J-R4-05-10		
EXCEPT FOR USES EXPRESSLY GRANTED IN WRITING, INFORMATION DISCLOSED HEREON IS CONFIDENTIAL AND ALL RIGHTS, PATENT AND OTHERWISE, ARE RESERVED BY SOUTHCO, INC.	A3	NX		DRAWN BY	DATE	SCALE
				JEM	31OCT2016	1:1
PER ASME Y14.5M-1994				SHEET	1 OF 2	

REVISION HISTORY			
REV	DATE	BY	DESCRIPTION
D	01FEB2021	MBT/DMS	PRN: P2021-0217



NOTES:
 A. THE TOLERANCE BETWEEN THE LATCH AND STRIKER BOLT ASSUMES A NON-RIGID DOOR INSTALLATION THAT WILL ALLOW THE DOOR TO MOVE INTO THE NOMINAL POSITION DURING LATCHING. RIGID DOORS MUST HAVE THE STRIKER INSTALLED PER THE PANEL PREPARATION RECOMMENDATION.
 B. THE MISALIGNMENT VIEW ASSUMES THE LATCH IS CONNECTED TO A PERFECTLY RIGID DOOR AND HINGE; THEREFORE, THERE IS NO DOOR AND/OR HINGE SLACK ASSOCIATED WITH THESE DIMENSIONS. THE MISALIGNMENT VIEW DOES NOT TAKE FLEXING OF THE STRIKER BOLT INTO ACCOUNT.

THIRD ANGLE PROJECTION				southco [®] CONNECT • CREATE • INNOVATE		
TOLERANCES UNLESS OTHERWISE NOTED		DESCRIPTION				
ALL DIMENSIONS WITHOUT TOLERANCES ARE FOR REFERENCE ONLY.		R4-05 ROTARY LATCH				
PROPRIETARY ITEM EXCEPT FOR USES EXPRESSLY GRANTED IN WRITING, INFORMATION DISCLOSED HEREON IS CONFIDENTIAL AND ALL RIGHTS, PATENT AND OTHERWISE, ARE RESERVED BY SOUTHCO, INC.	PER ASME Y14.5M-1994	SIZE A3	SYSTEM NX	DWG NO. J-R4-05-10		
		DRAWN BY JEM	DATE 31OCT2016	SCALE 1:1	SHEET 2 OF 2	