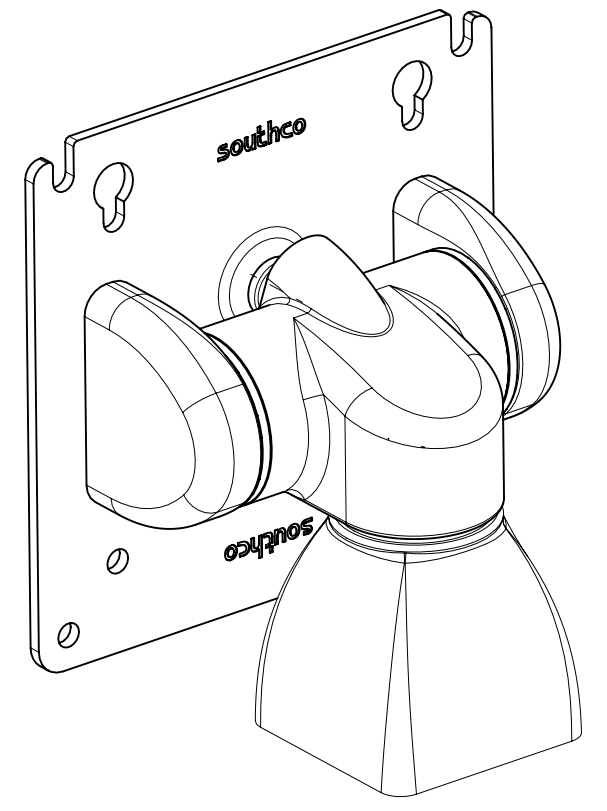
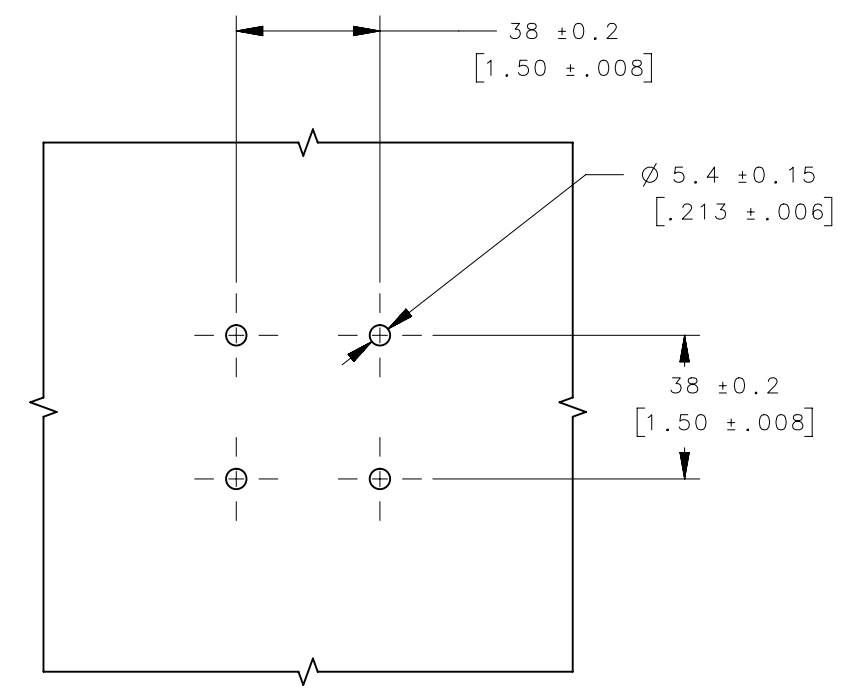
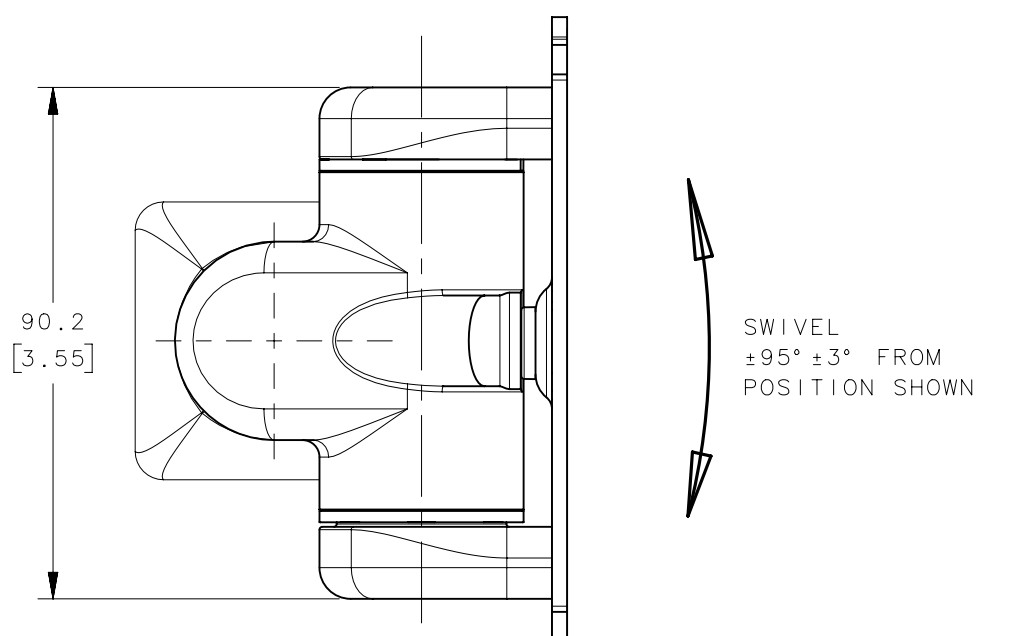


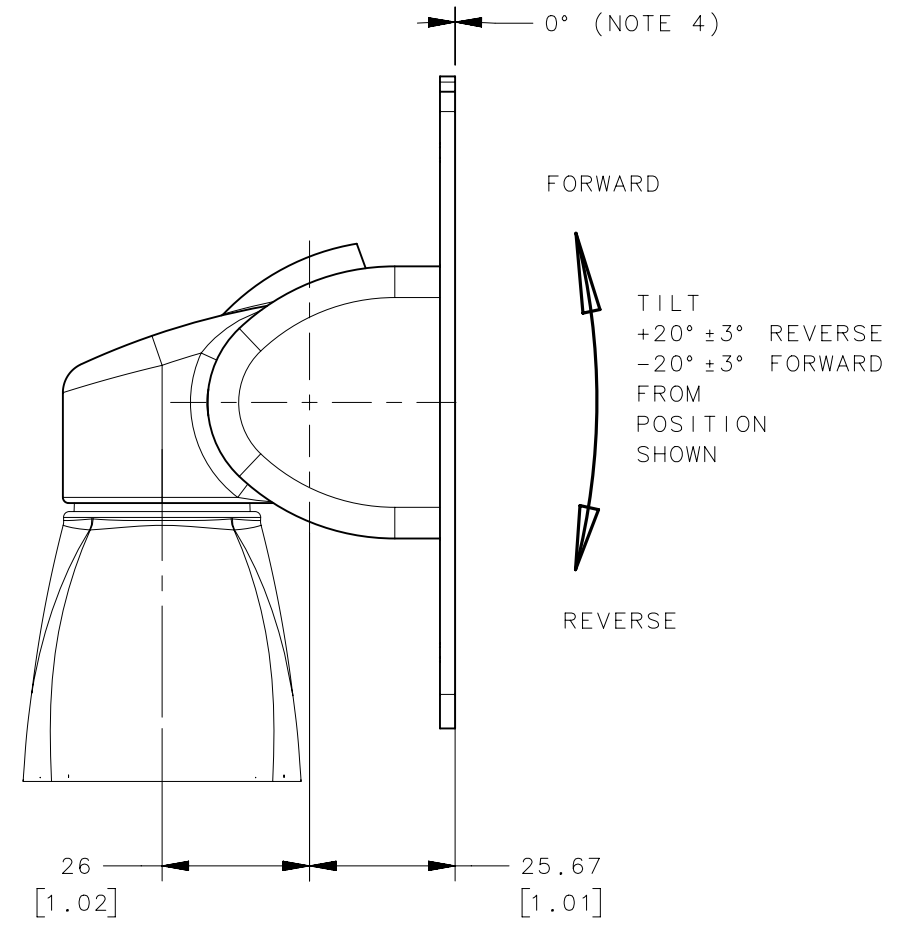
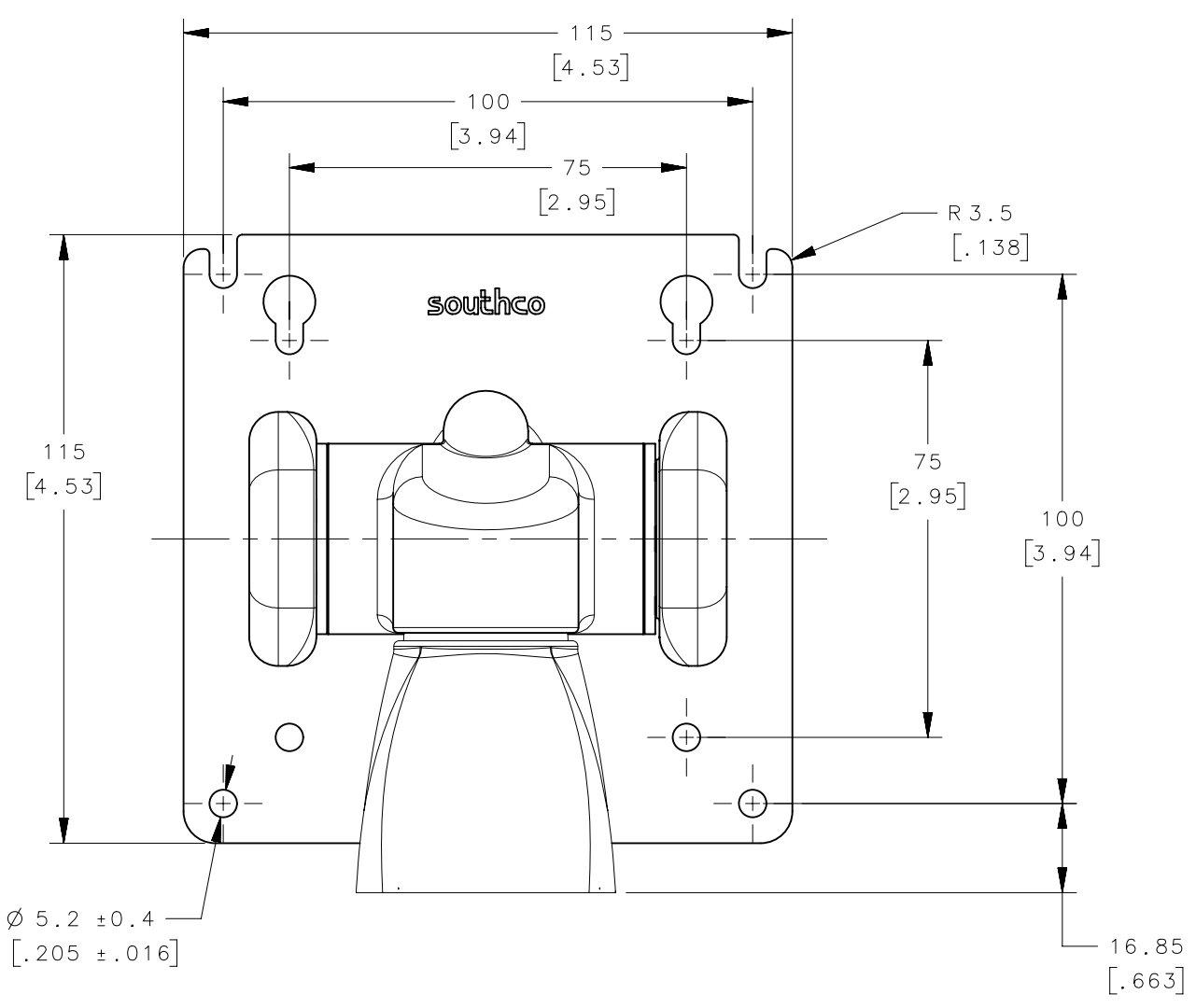
REVISION HISTORY			
REV	DATE	BY	DESCRIPTION
E	07FEB2018	CB1/VK	PRN: P2018-0344

PART NUMBER	PART NUMBER WITH WIRE NOTCH IN BASE	REVERSE TILT TORQUE N*m (lbf*in)	FORWARD TILT TORQUE N*m (lbf*in)	SWIVEL SYMMETRIC TORQUE	COLOR
AV-D32-10K121-50	AV-D32-10K131-50	7.9 (70)	1.13 (10)	4.29 N*m	BLACK
AV-D32-10K121-76	AV-D32-10K131-76	7.9 (70)	1.13 (10)	(38 lbf*in)	OFFICE WHITE
AV-D32-10K122-50	AV-D32-10K132-50	15.4 (136)	2.26 (20)	NOMINAL /	BLACK
AV-D32-10K122-76	AV-D32-10K132-76	15.4 (136)	2.26 (20)	2.17 N*m	OFFICE WHITE
AV-D32-10K123-50	AV-D32-10K133-50	8.6 (76)	6.0 (53)	(24 lbf*in)	BLACK
AV-D32-10K123-76	AV-D32-10K133-76	8.6 (76)	6.0 (53)	MINIMUM	OFFICE WHITE

ASSEMBLIES CAN BE ORDERED WITH AN OPTIONAL WIRE NOTCH IN HOUSING FOR EASIER WIRE ROUTING. SEE SHEET 2.

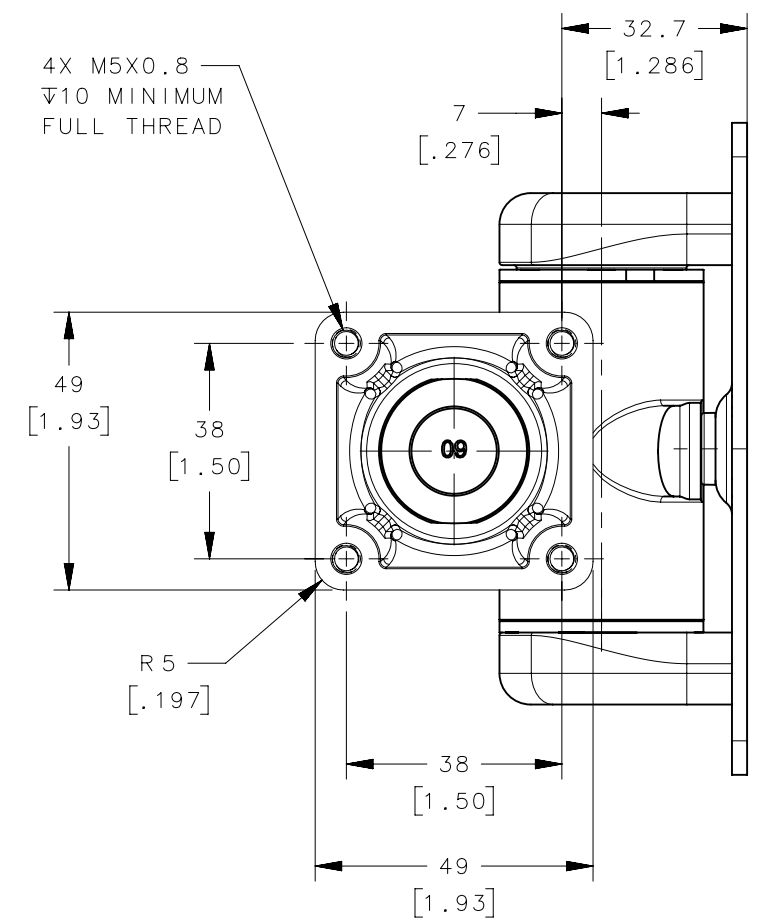
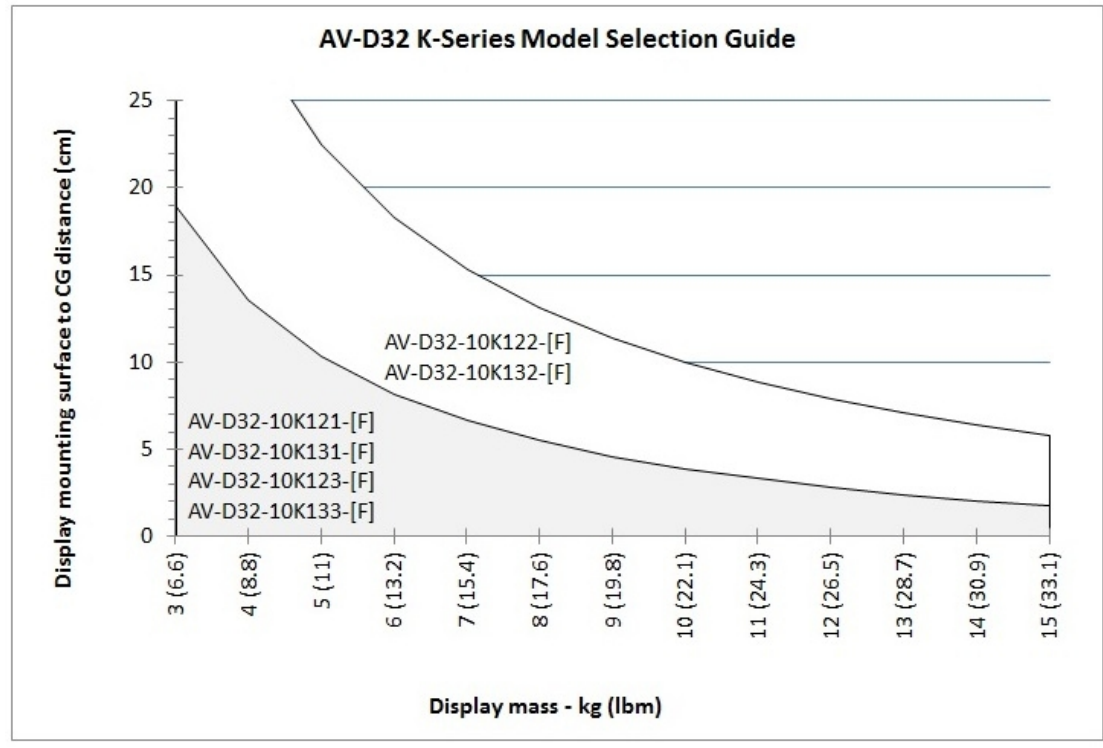


MOUNTING PANEL PREPARATION



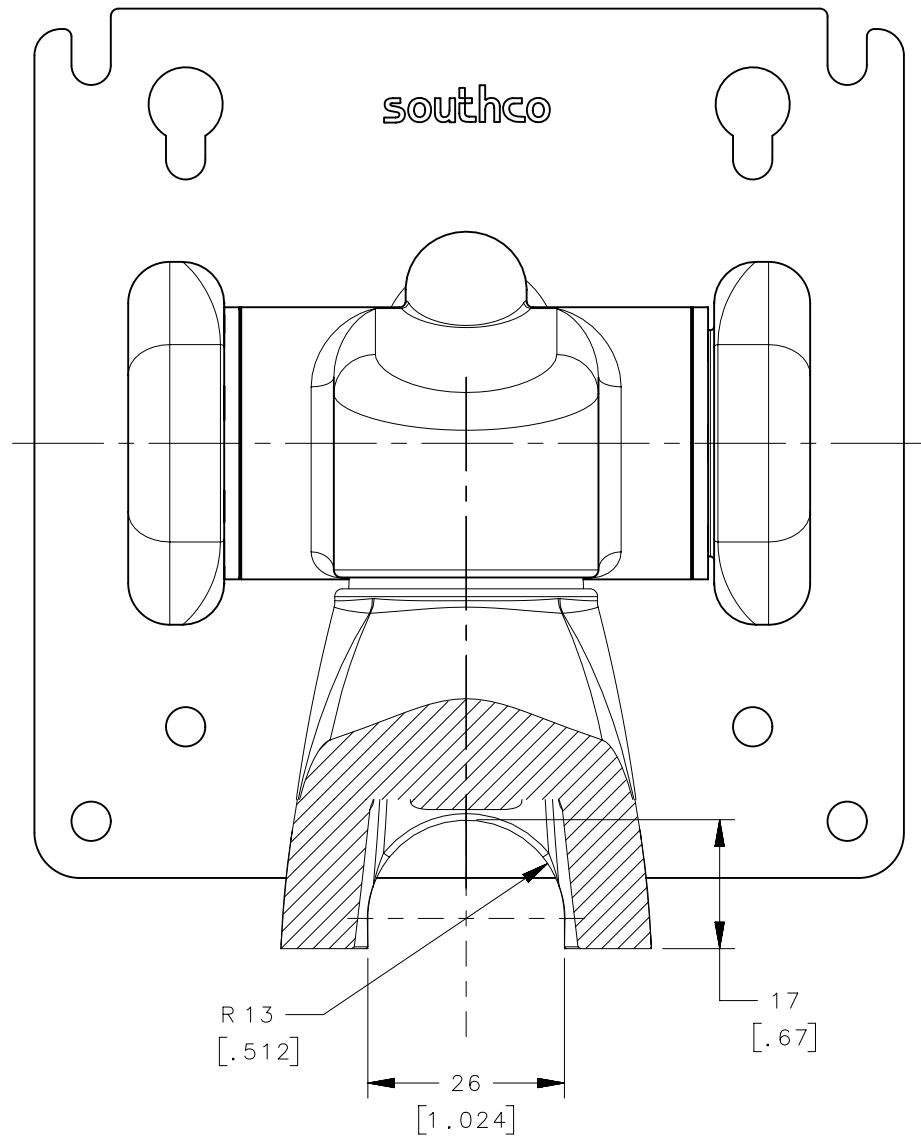
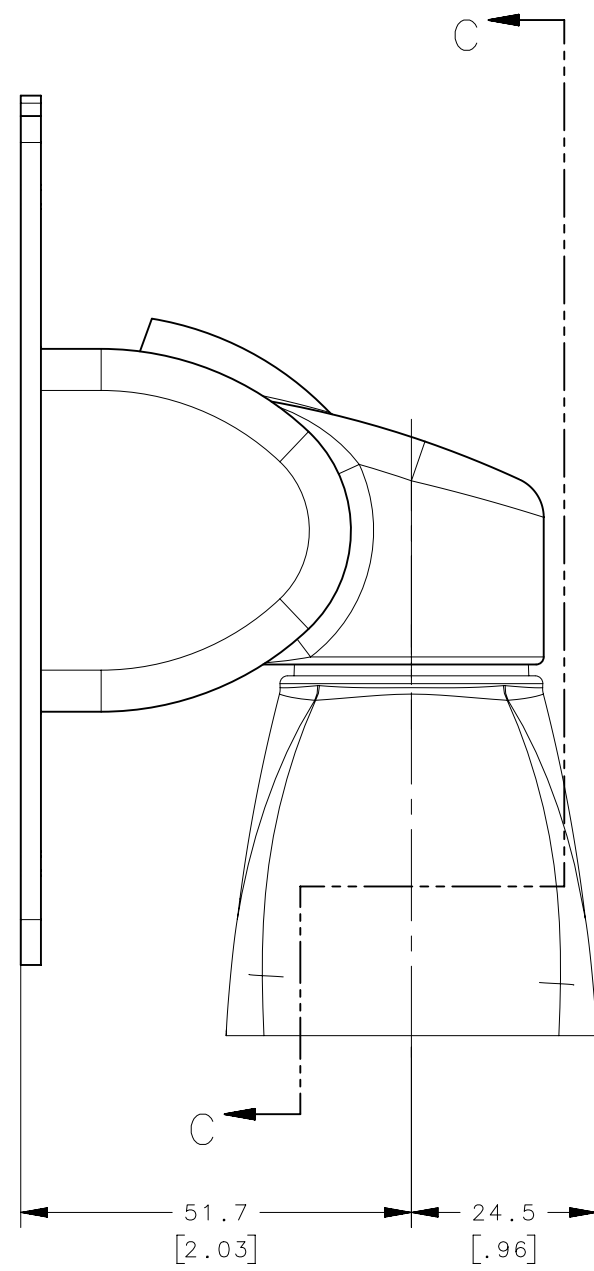
NOTES:

- ALL EXTERIOR SURFACES CLASS C PER SOUTHCO FINISH SPECIFICATION S-121. ALL INTERIOR SURFACES CLASS D PER SOUTHCO FINISH SPECIFICATION S-121.
- TILT TORQUE MEASURED WITH VESA DISPLAY PLATE IN THE VERTICAL (0° ±5°) POSITION WHEN TILTING IN THE REVERSE DIRECTION. NOTE: THE TILT TORQUE VARIES WITH THE COUNTERBALANCE (WHEN EQUIPPED) IN THE FORWARD AND REVERSE DIRECTIONS.
- DISPLAY MOUNTING PLATE TO HOUSING ANGULAR FREE PLAY TO BE 1.5° MAXIMUM.
- MATERIALS AND FINISHES:
 ADAPTERS: DIE CAST ALUMINUM ANODIZED AND POWDER COATED
 TILT HOUSING AND SWIVEL HOUSING: DIE CAST ALUMINUM, POWDER COATED
 TILT SLEEVE AND THRUST WASHER: ACETAL, BLACK
 COILED PIN: STEEL, PHOSPHATE COATED
 TILT SHAFT, TORQUE ELEMENTS AND STOP WASHER: STEEL, NATURAL FINISH
 TORSION SPRING: CARBON STEEL, NICKEL PLATED
 DISPLAY SCREWS: STEEL, BLACK OXIDE
 DISPLAY STOPS: POLYETHYLENE, WHITE
 SWIVEL SHAFT: STAINLESS STEEL AND NYLON
 LUBRICANT: HYDROCARBON BASE

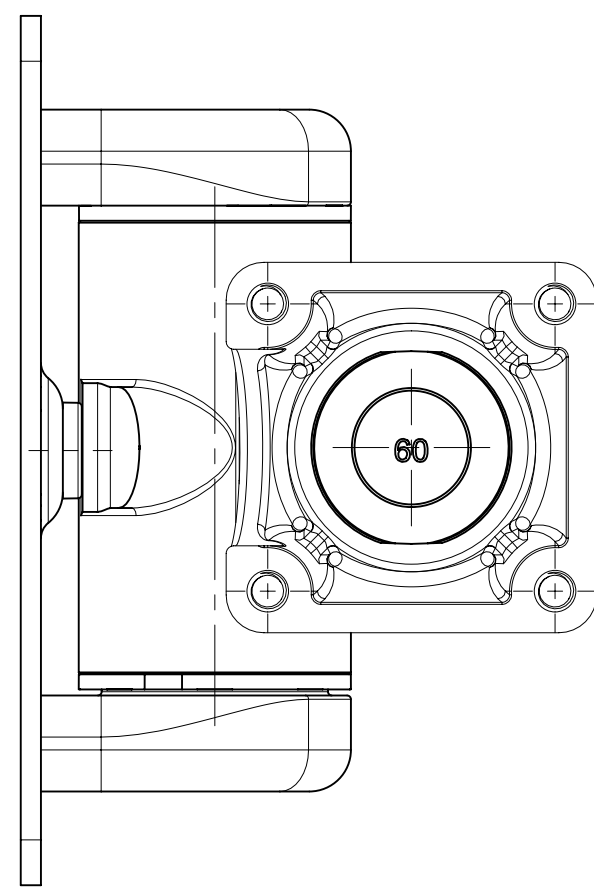
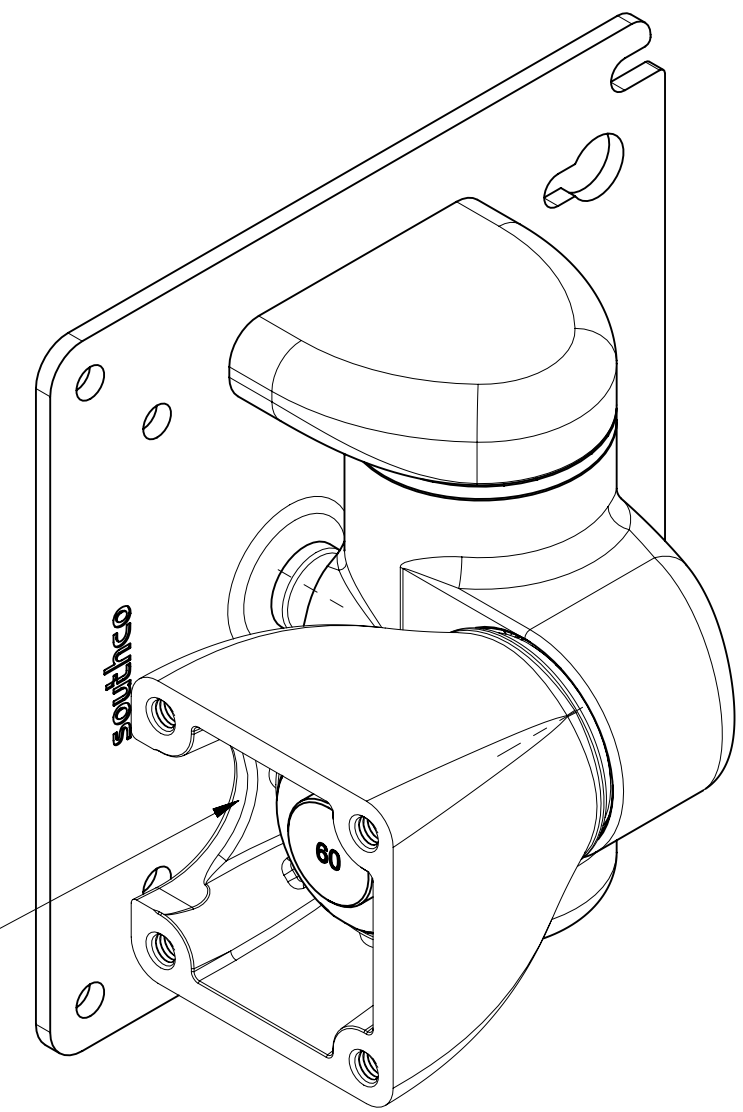


THIRD ANGLE PROJECTION			
MILLIMETERS [IN]			
SURFACE AREA mm ²		DESCRIPTION	
VOLUME mm ³		ALL DIMENSIONS WITHOUT TOLERANCES ARE FOR REFERENCE ONLY.	
PROPRIETARY ITEM		SIZE	SYSTEM
EXCEPT FOR USES EXPRESSLY GRANTED IN WRITING, INFORMATION DISCLOSED HEREON IS CONFIDENTIAL AND ALL RIGHTS, PATENT AND OTHERWISE, ARE RESERVED BY SOUTHCO, INC.		A2	NX
PER ASME Y14.5M-1994		DWG NO.	J-AV-D32-10K121
DRAWN BY		DATE	SCALE
GEA		20AUG2012	1:1
SHEET		1 OF 3	

REVISION HISTORY			
REV	DATE	BY	DESCRIPTION
E	07FEB2018	CB1/VK	PRN: P2018-0344



ASSEMBLIES CAN BE ORDERED WITH AN OPTIONAL WIRE NOTCH IN SWIVEL HOUSING FOR EASIER WIRE ROUTING.



		THIRD ANGLE PROJECTION			southco CONNECT · CREATE · INNOVATE	
		MILLIMETERS [IN]				
SURFACE AREA		mm ²	TOLERANCES UNLESS OTHERWISE NOTED		DESCRIPTION	
VOLUME		mm ³	ALL DIMENSIONS WITHOUT TOLERANCES ARE FOR REFERENCE ONLY.		DISPLAY MOUNT TILT & SWIVEL	
PROPRIETARY ITEM			SIZE	SYSTEM	DWG NO.	
EXCEPT FOR USES EXPRESSLY GRANTED IN WRITING, INFORMATION DISCLOSED HEREON IS CONFIDENTIAL AND ALL RIGHTS, PATENT AND OTHERWISE, ARE RESERVED BY SOUTHCO, INC.			A2	NX	J-AV-D32-10K121	
PER ASME Y14.5M-1994			DRAWN BY	DATE	SCALE	SHEET
			GEA	20AUG2012	1:1	2 OF 3

8

7

6

5

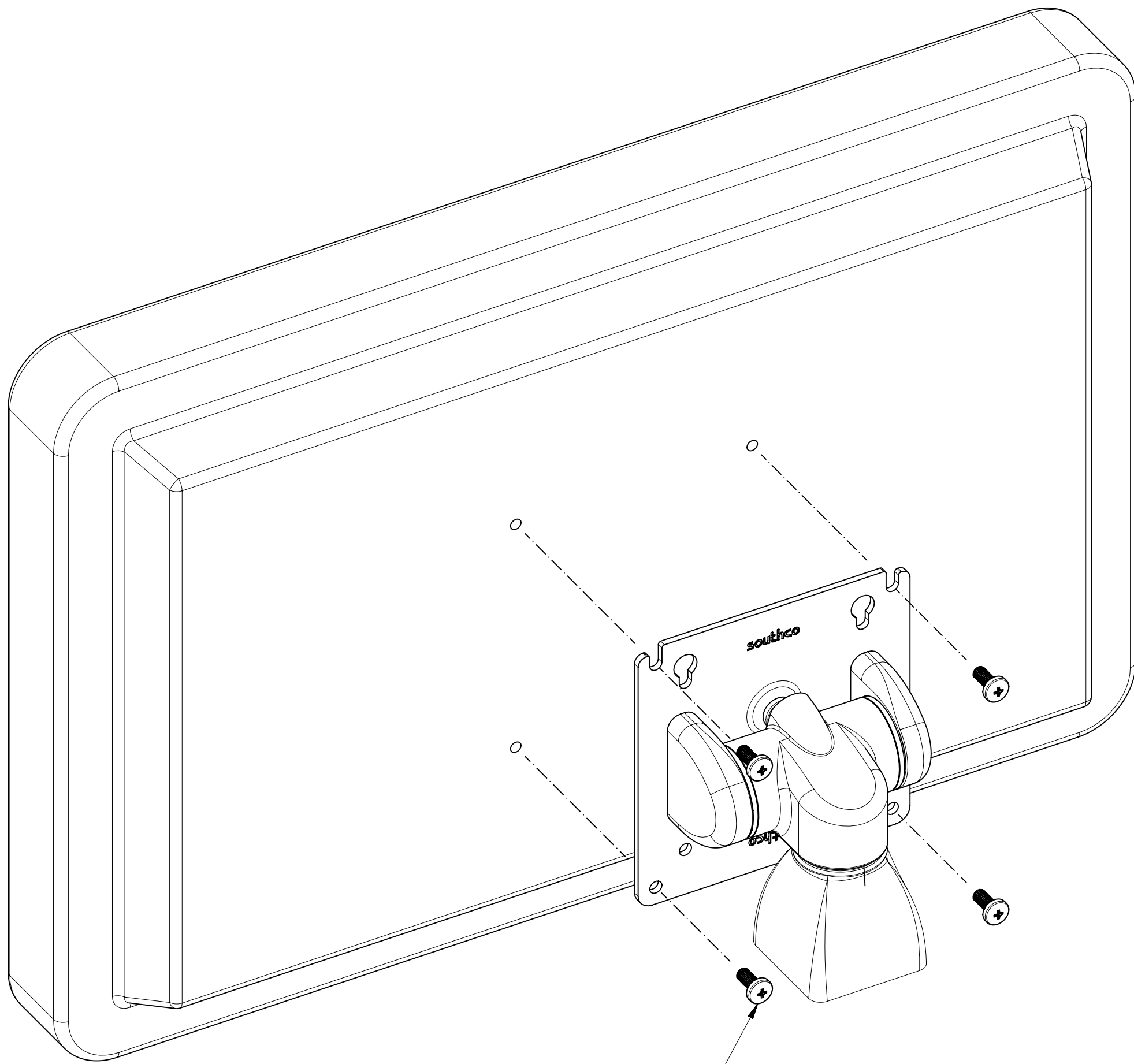
4

3

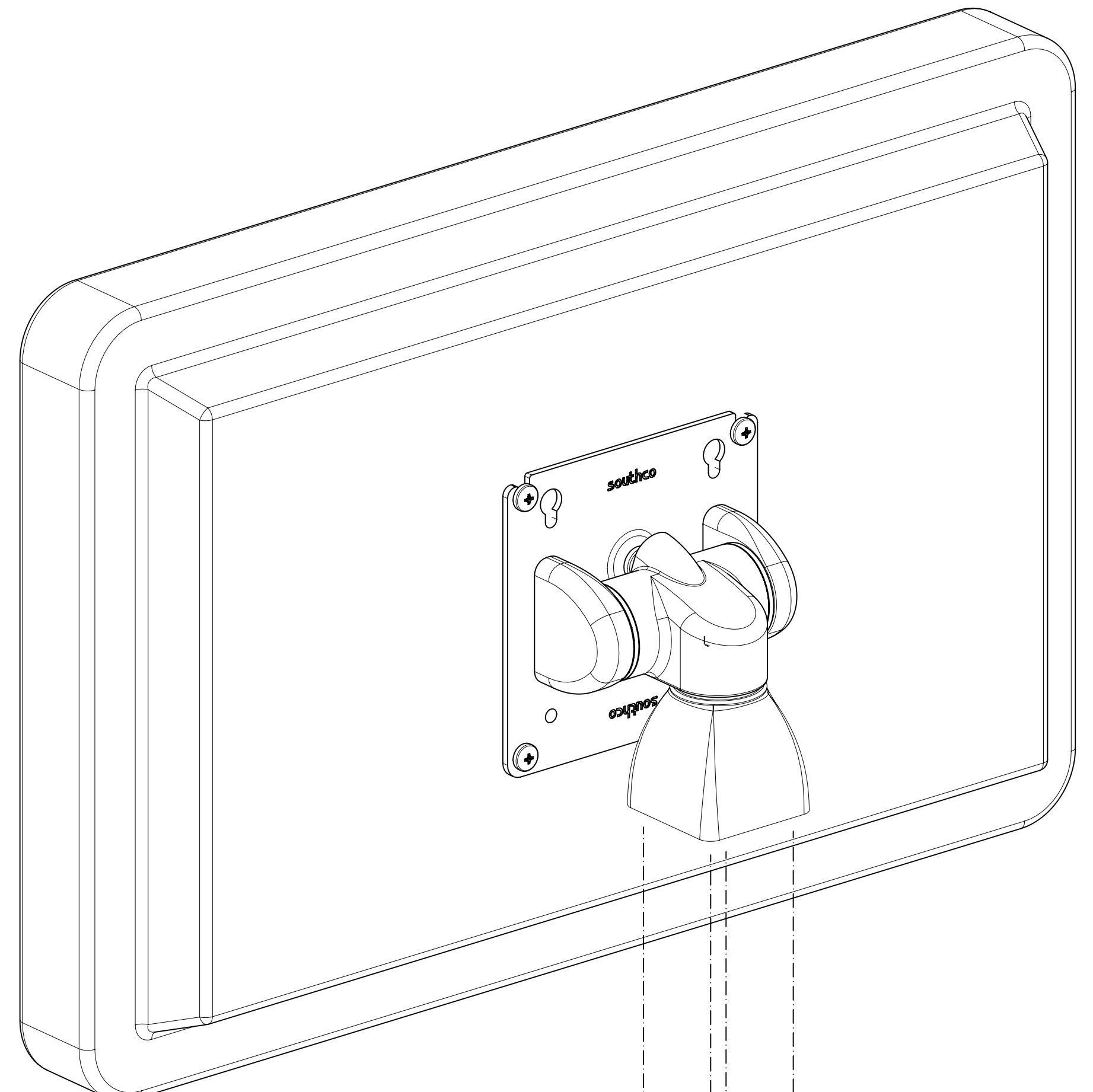
2

1

REVISION HISTORY			
REV	DATE	BY	DESCRIPTION
E	07FEB2018	CB1/VK	PRN: P2018-0344



DISPLAY MOUNTING SCREWS
NOT SUPPLIED



M5 X 0.8 SCREWS (NOT SUPPLIED)

NOTE: MOUNTING SCREWS MUST
HAVE 10mm MINIMUM
THREAD ENGAGEMENT.

		THIRD ANGLE PROJECTION			southco CONNECT · CREATE · INNOVATE	
		MILLIMETERS [IN]				
SURFACE AREA		mm ²	TOLERANCES UNLESS OTHERWISE NOTED		DESCRIPTION	
VOLUME		mm ³	ALL DIMENSIONS WITHOUT TOLERANCES ARE FOR REFERENCE ONLY.		DISPLAY MOUNT TILT & SWIVEL	
PROPRIETARY ITEM		PER ASME Y14.5M-1994		SIZE SYSTEM	DWG NO.	
EXCEPT FOR USES EXPRESSLY GRANTED IN WRITING, INFORMATION DISCLOSED HEREON IS CONFIDENTIAL AND ALL RIGHTS, PATENT AND OTHERWISE, ARE RESERVED BY SOUTHCO, INC.				A2	NX J-AV-D32-10K121	
				DRAWN BY	DATE	SCALE SHEET
				GEA	20AUG2012	1:1 3 OF 3

8

7

6

5

4

3

2

1