



M1 Push-to-Close Latch

Pull-to-open

- Single, round-hole installation
- Flush pop out knob
- Corrosion-resistant materials

Material and Finish

PC/ABS, black or chrome plated

Performance Details

Max. working load: 310 N (70 lbf)

Operating temperature range:

-30°C (-22°F) to 60°C (140°F)

Flammability rating: UL94-HB

Installation Notes

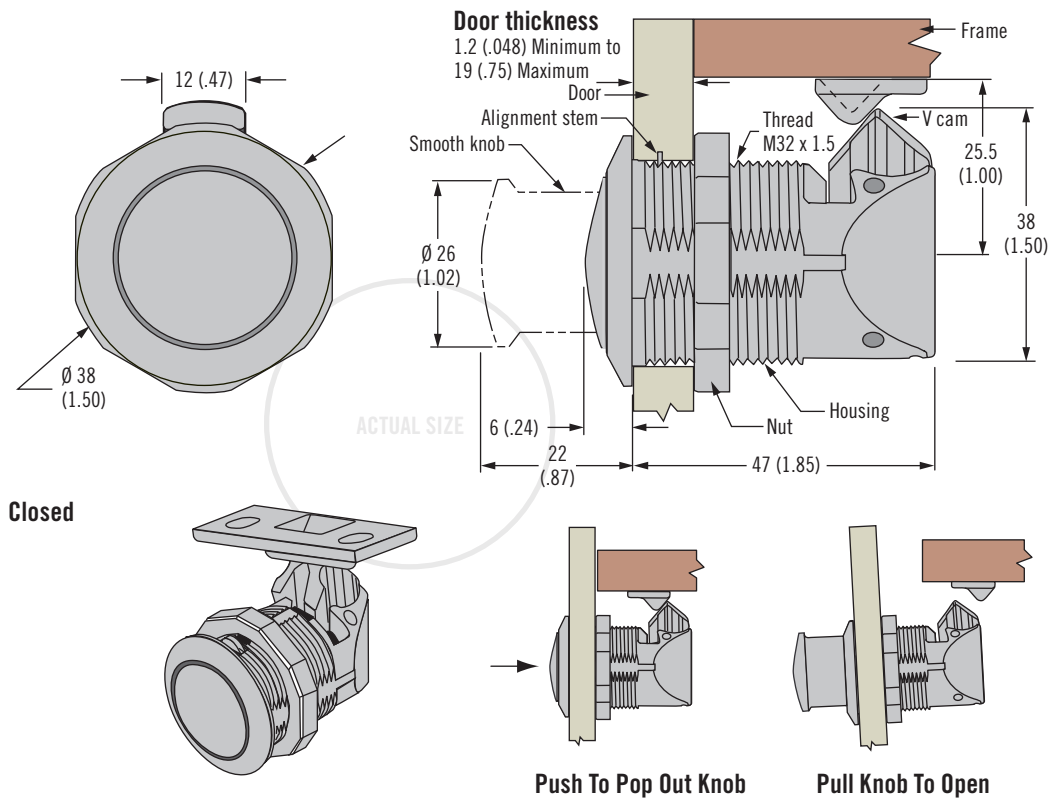
Max. tightening torque on

mounting nut: 4.2 N·m (37 in·lbf)

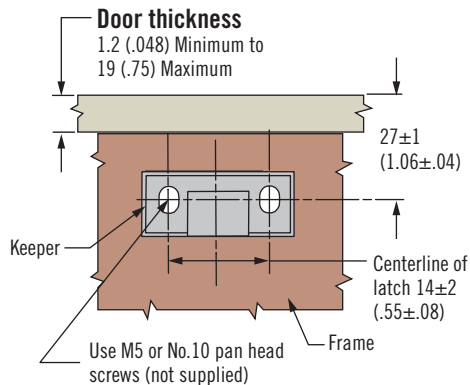
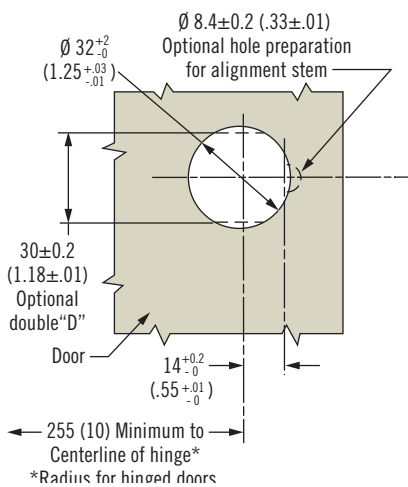
Accessories

Replacement Keeper

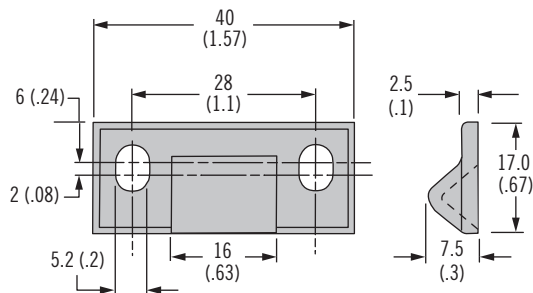
Part number: M1-2A-9-105-41



Installation



Keeper



Part Number

See table

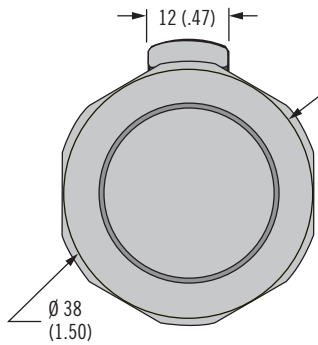
Finish	Part Number
Chrome	M1-2A-15-1
Black	M1-2A-15-5

M1 Push-to-Close Latch

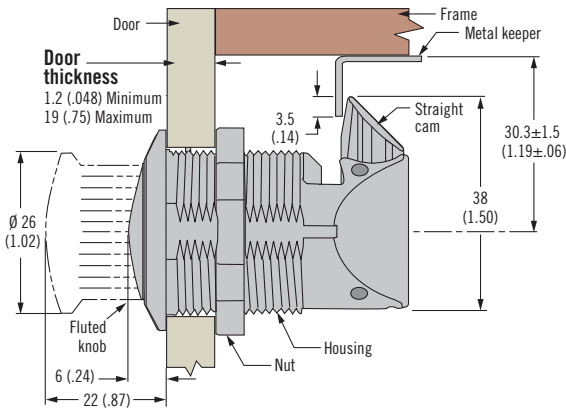
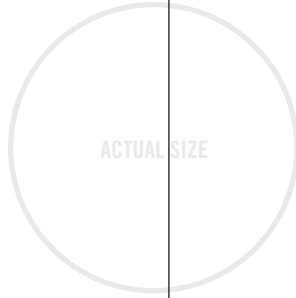
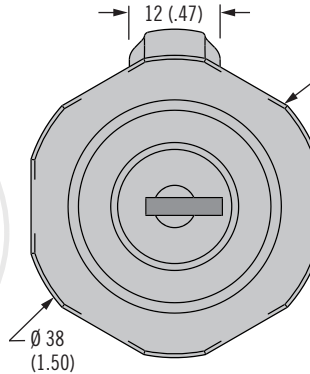
Turn-to-open



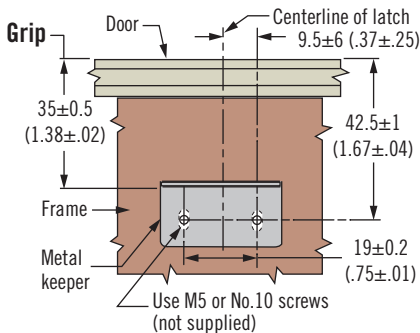
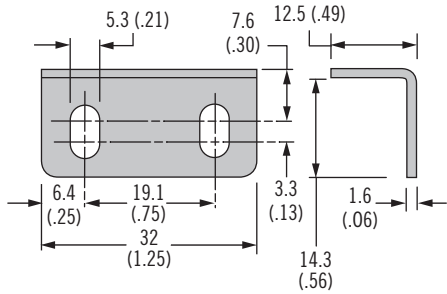
Non-Locking



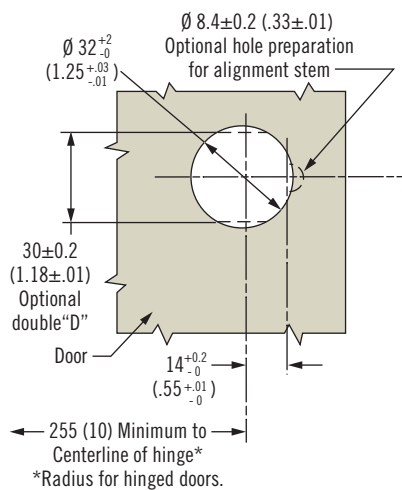
Locking



Keeper



Installation



- Single, round-hole installation
- Flush pop out knob
- Corrosion-resistant materials

Material and Finish

PC/ABS, black or chrome plated

Performance Details

Max. working load: 310 N (70 lbf)

Operating temperature range:
-30°C (-22°F) to 60°C (140°F)

Flammability rating: UL94-HB

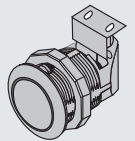
Installation Notes

Max. tightening torque on mounting nut:
4.2 N·m (37 in·lbf)

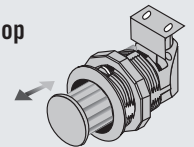
Accessories

Replacement Keeper
Part number: M1-519-4

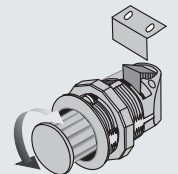
Closed



Push To Pop Out Knob



Turn Knob To Open



Part Number

See table

Finish	Part Number	
	Non-locking	Locking
Chrome	M1-2A-13-1	-
Black	M1-2A-13-5	M1-2A-23-5