



M1 Push-to-Close Latch

38mm (1.5") · Stainless steel

- Single, round-hole installation
- Locking style restricts access
- Premium finish and corrosion resistance
- Privacy lock on locking version

Material and Finish

Latch: 316 grade stainless steel, bright polished
 Spacer: Nylon, black

Contact Southco for other finishes

Performance Details

Max. static load: 545 N (122 lbf)

Accessories

One key supplied per latch for additional keys order
 M7-88-9121324-S



Spacer: M1-510-96-1



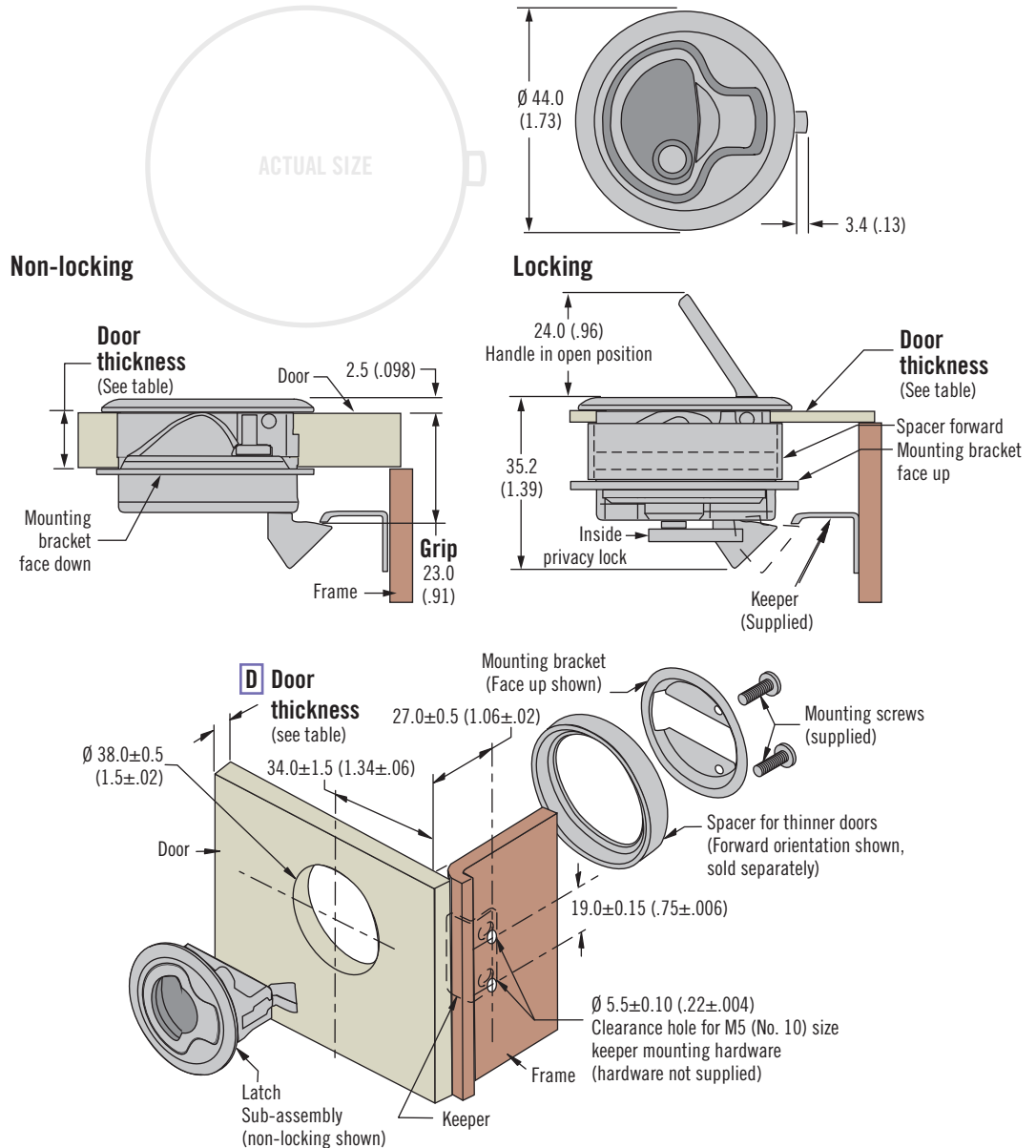
Keeper: M1-510-19-8

Mounting screws: M1-510-96-4

Installation Notes

Use the reference table to determine if a spacer is required for the door thickness and the correct mounting bracket orientation. The spacer shown is in the forward position.

Part Number Selection

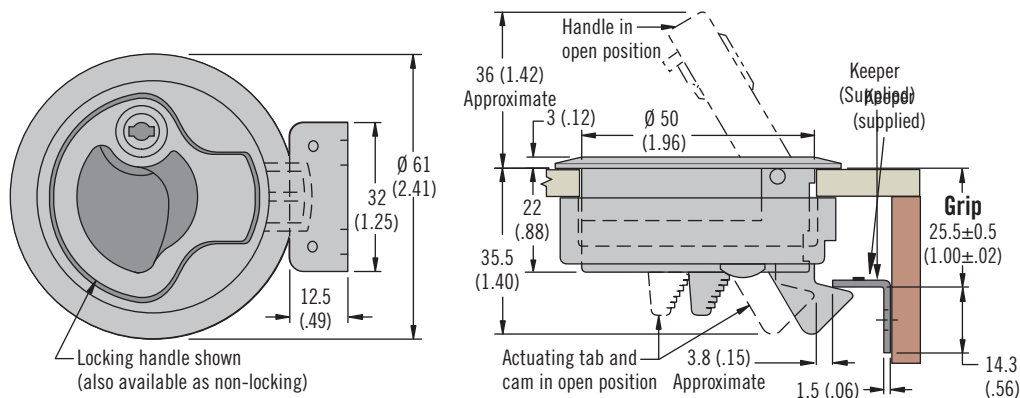


Door Thickness	Spacer Orientation	Mounting Bracket Orientation
1.0 - 7.0 (.04 - .28)	Forward	Face Up
7.0 - 13.0 (.28 - .51)	(not required)	Face Up
13.0 - 19.0 (.51 - .75)	(not required)	Face Down



M1 Push-to-Close Latch

50mm (2") · Stainless steel · Plastic



- Single, round-hole installation
- Corrosion-resistant materials
- Inside actuation when locked or unlocked

Material and Finish

Stainless steel 316 grade, electropolished or PC/PBT blend, black, white or beige

Performance Details

Max. Working load:
Stainless Steel: 835 N (187 lbf)
PC/ABT blend 270 N (60 lbf)

Operating temperature range:
-18 °C (0 °F) to 60 °C (140 °F)

Flammability rating:
UL94-HB (plastic version)

Installation Notes

Max. tightening torque on mounting screws: 1.7 N·m (15 in·lbf)

Accessories

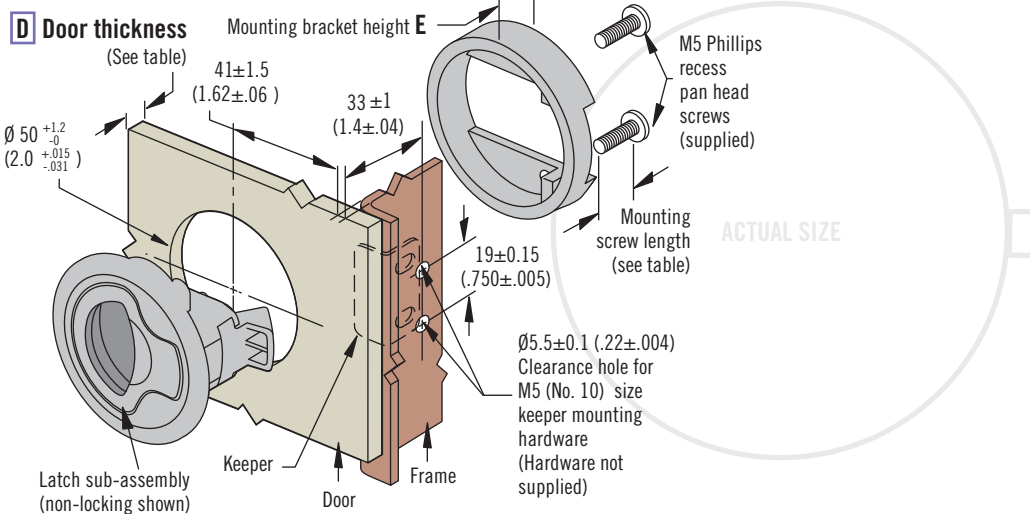
Keeper
Part number: M1-519-4

For lock style 4
Key (pair)
Part number: M1-546

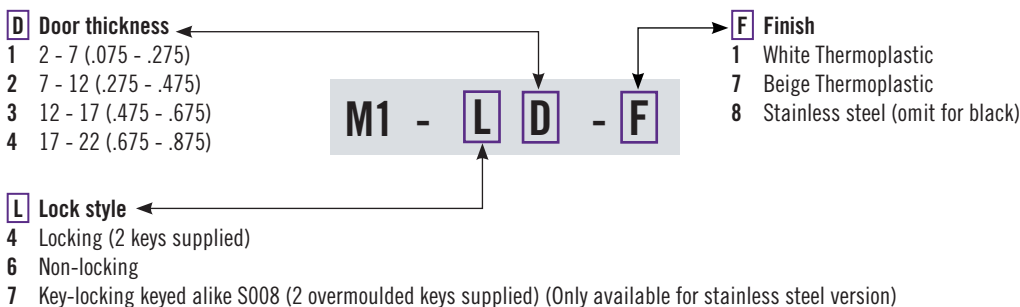
For lock style 7
Overmoulded key S008 (pair)
Part number:
M1-525-39-S008

Part Number Selection

See page 102 for complimentary styled compression version



D Door Thickness		Mounting Bracket Height E	Mounting Screw Length	Replacement Screw Part Number
Min.	Max.			
2 (.075)	7 (.275)	14 (.55)	16 (.63)	M1-0-27358-01
7 (.275)	12 (.475)	14 (.55)	20 (.81)	M1-0-27358-02
12 (.475)	17 (.675)	3.8 (.15)	16 (.63)	M1-0-27358-01
17 (.675)	22 (.875)	3.8 (.15)	20 (.81)	M1-0-27358-02





M1 Push-to-Close Latch

64mm (2.5") size · Stainless steel

- Single, round-hole installation
- Corrosion-resistant materials
- Inside actuation when locked or unlocked

Material and Finish

Stainless steel 316 grade, electropolished

Performance Details

Max. working load: 835 N (187 lbf)

Operating temperature range:
-18°C (0°F) to 60°C (140°F)

Installation Notes

Max. tightening torque on mounting screws: 1.7 N·m (15 in·lbf)

Accessories

Keeper
Part number: M1-525-19-4
For lock style 4
Key (pair)
Part number: M1-546



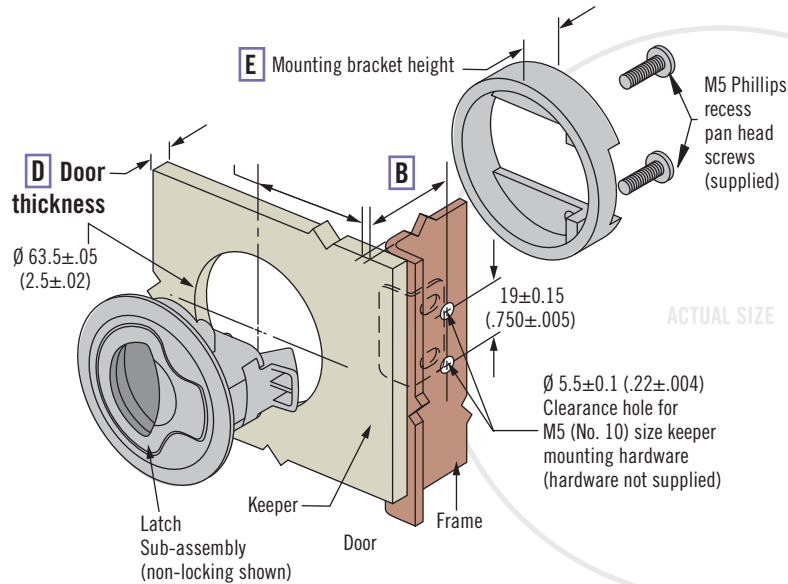
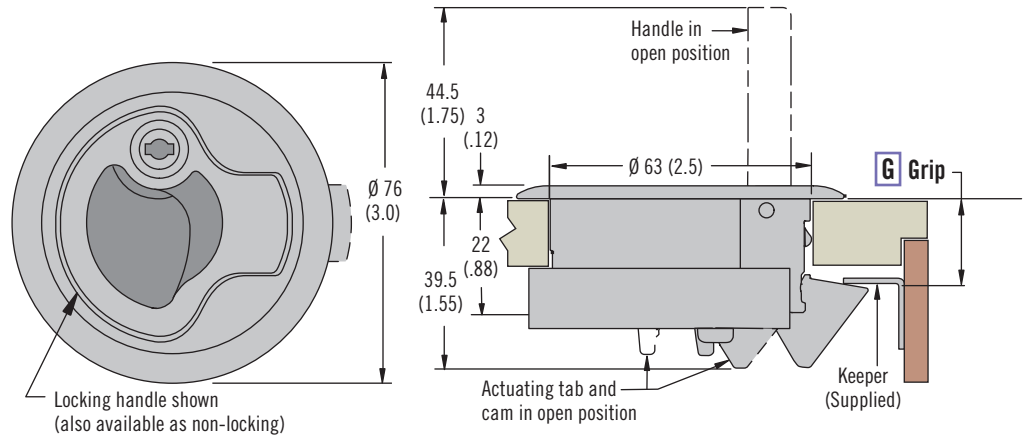
For lock style 7
Overmoulded key S008 (pair)
Part number: M1-525-39-S008



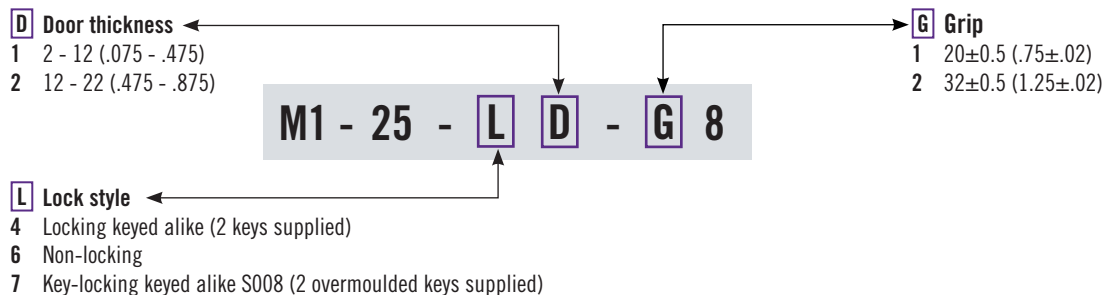
Replacement mounting screw
Part number: M1-0-27358-02

Part Number Selection

See page 103 for complimentary styled compression version



22 (.875)	E Mounting Bracket Height	D Door Thickness		B
		Min.	Max.	
20 \pm 0.5 (.75 \pm .02)	22 (.875)	2 (.075)	12 (.475)	27 (1.10)
32 \pm 0.5 (1.25 \pm .02)	22 (.875)	2 (.075)	12 (.475)	39 (1.54)
20 \pm 0.5 (.75 \pm .02)	12 (.475)	12 (.475)	22 (.875)	27 (1.10)
32 \pm 0.5 (1.25 \pm .02)	12 (.475)	12 (.475)	22 (.875)	39 (1.54)

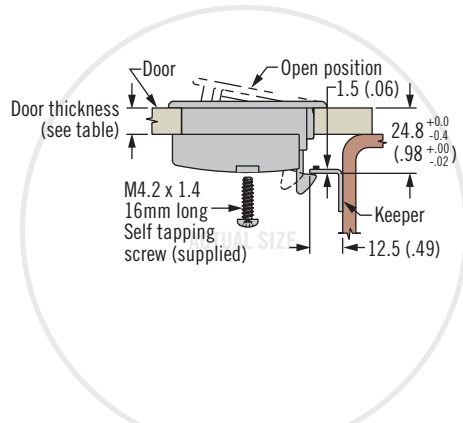
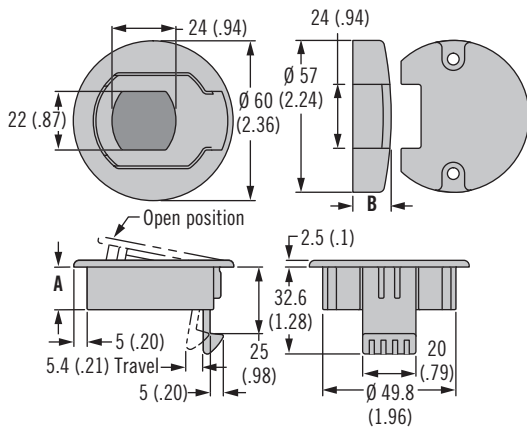


M1 Push-to-Close Latch

Lift-to-open · Flush



Mounting Cup



Door Thickness Range	A	B	Part Number
1 - 7 (.04 - .28)	16 (.63)	20.4 (.80)	M1-81
7 - 13 (.28 - .51)	16 (.63)	14.3 (.57)	M1-82
13 - 19 (.51 - .75)	22 (.87)	14.3 (.57)	M1-83

- Low profile
- Non-corrosive and non-conductive

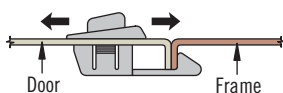
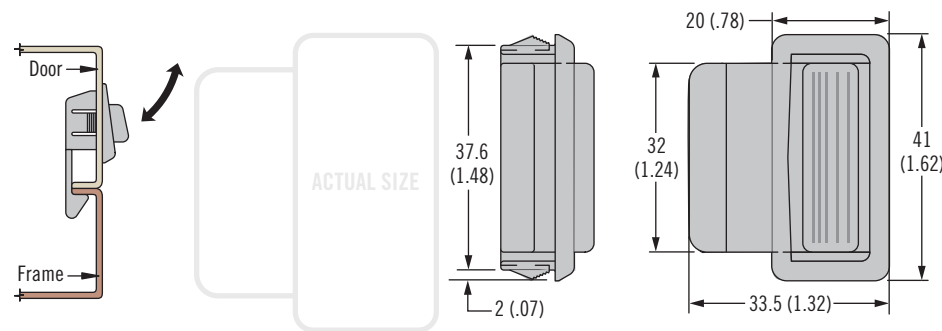
Material and Finish

Latch: Acetal, black
 Mounting hardware: Stainless steel

www.southco.com/M1

80 Push-to-Close Latch

Push-to-open · Snap-in



Colour	Part Number
White	80-201
Black	80-202

- Snap-in installation
- Non-corrosive and non-conductive
- Suitable for sliding or hinged doors

Material and Finish

Acetal, black or white

