



G6 Hinge

Position control · Detent

- Holds doors open without secondary mechanical support
- Detent holds door at 120° and 170°
- Can be opened to 180°

Material and Finish

Acetal and nylon, black

Performance Details

Radial load:

Maximum static load: 130 N (30 lbf)

Average ultimate load:

970 N (220 lbf)

Axial load:

Maximum static load: 130 N (30 lbf)

Average ultimate load:

1450 N (325 lbf)

Cycle life: 10,000 cycles

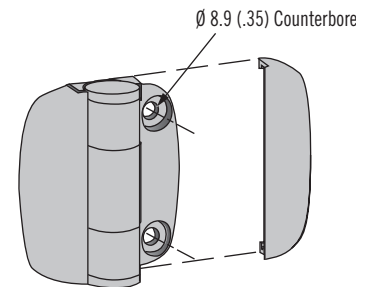
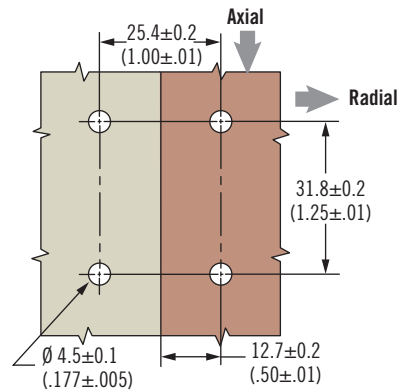
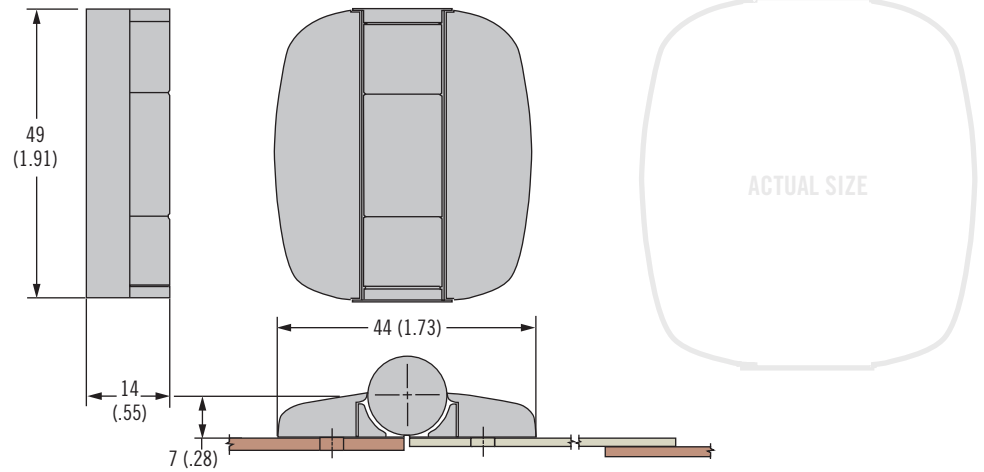
Operating temperature range:

-20 °C (0° F) to 80° C (180° F)

Installation Notes

Screws not supplied

Hinge designed to accommodate M4 (No. 8) size Pan Head mounting hardware.



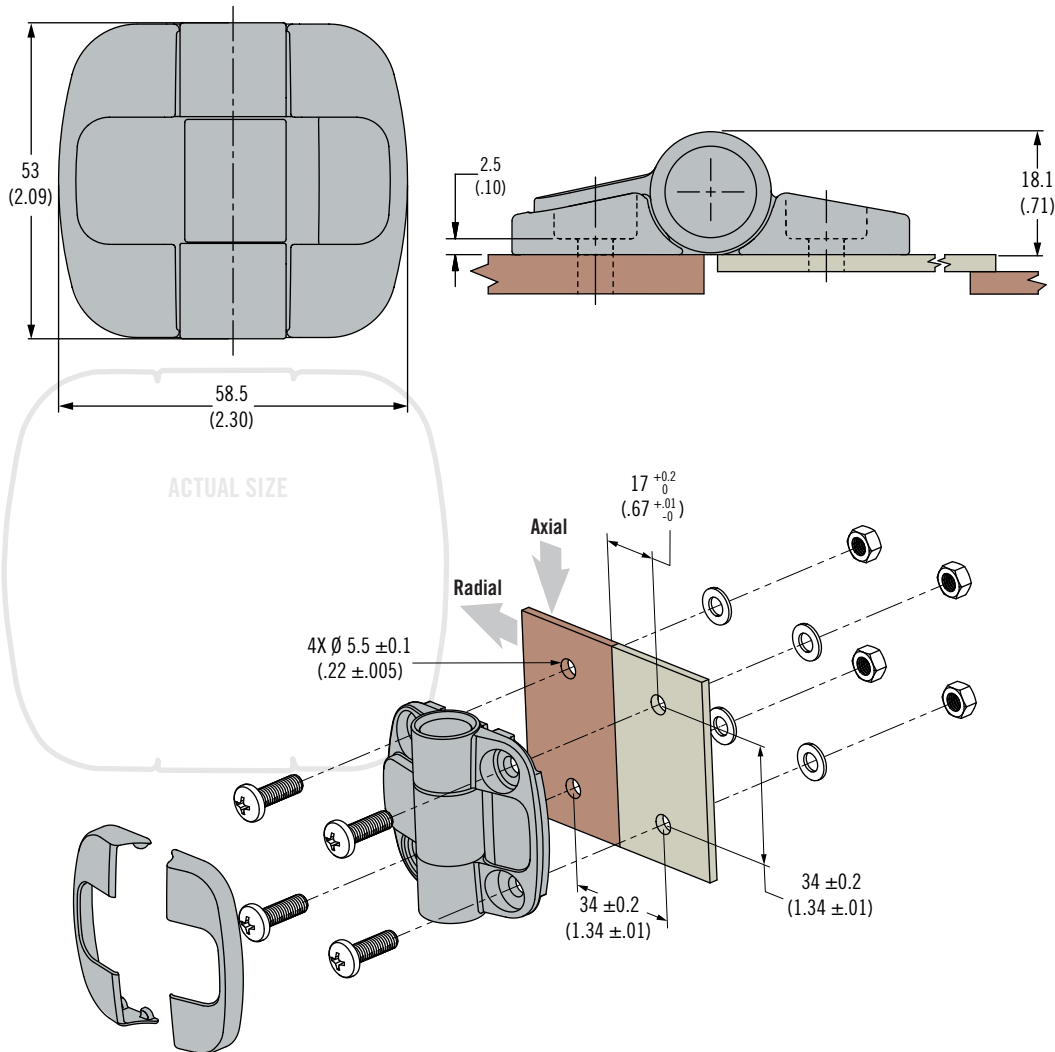
Part Number

See table

Part Number	Detent Angle	Positioning Torque
G6-0-1	<p>Free swinging (no detents)</p>	~
G6-5-1		1.1 N·m (10 in·lbf)

C6 Hinge

Position control · Detent



- Holds doors open without secondary mechanical support
- Detents holds door at 80°, 115° or 150°
- All versions can be further opened to 180°

Material and Finish

Acetal, black or white
Internal components:
Stainless steel

Performance Details

Radial load:

Maximum static load:

450 N (100 lbf)

Average ultimate load:

2600 N (575 lbf)

Axial load:

Maximum static load:

450 N (100 lbf)

Average ultimate load:

1800 N (400 lbf)

Cycle life: Up to 20,000

Operating temperature range:

-40°C (-40°F) to 80°C (180°F)

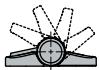
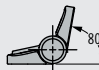
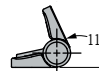
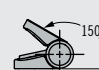
Installation Notes

Mounting hardware not supplied.

Designed to accommodate M5 (No. 10) mounting hardware with a maximum head diameter of 10.1 (.40) and a maximum head height of 3 (.12).

Part Number

See table

Type	Positioning Torque N·m (in·lbf)	Part Number	
		Black	White
 No Detents	Free operating	C6-220	C6-220-1
 80 Degree	0.7 (6)	C6-221	C6-221-1
	1.1 (10)	C6-222	C6-222-1
	1.7 (15)	C6-223	C6-223-1
 115 Degree	0.7 (6)	C6-224	C6-224-1
	1.1 (10)	C6-225	C6-225-1
	1.7 (15)	C6-226	C6-226-1
 150 Degree	0.7 (6)	C6-227	C6-227-1
	1.1 (10)	C6-228	C6-228-1
	1.7 (15)	C6-229	C6-229-1