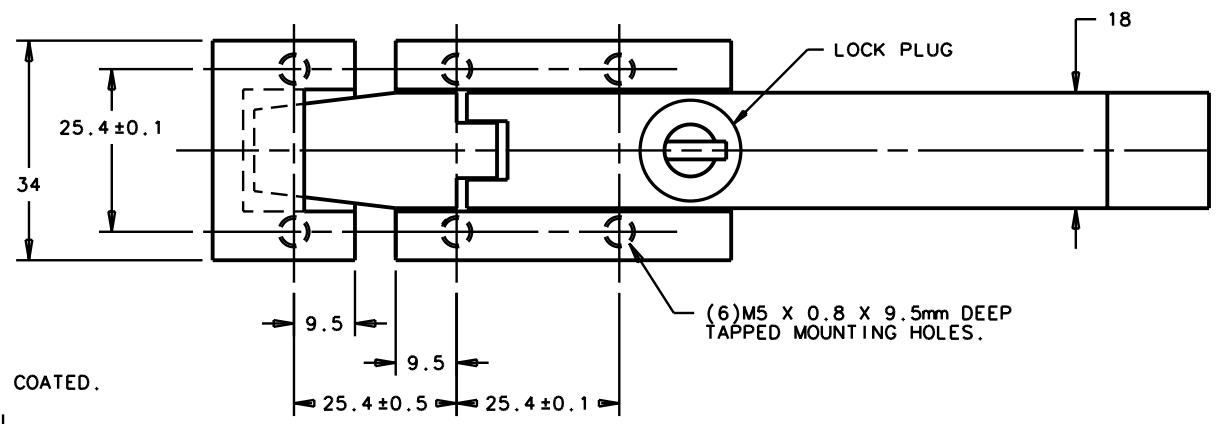


| REV. | DATE      | DRAWN   | REVISION        | ITEM     | PART NUMBER  | LEVER MATERIAL | PAWL MATERIAL        | BASE MATERIAL | KEEPER MATERIAL | COMPONENT MATERIAL & FINISH |
|------|-----------|---------|-----------------|----------|--------------|----------------|----------------------|---------------|-----------------|-----------------------------|
| A    | 05FEB93   | KPL     | PRN: S-1-03     | ASSEMBLY | A7-10-352-20 | DIE CAST ZINC  | DIE CAST ZINC        | SEE NOTE A    | SEE NOTE A      | SEE NOTE C                  |
| B    | 09OCT96   | SWD     | PRN: S-93-23    | ASSEMBLY | A7-10-352-30 | DIE CAST ZINC  | BRIGHT CHROME PLATED | SEE NOTE A    | SEE NOTE A      | SEE NOTE C                  |
| C    | 28NOV2001 | RJB/JSS | PRN: P2001-0631 | ASSEMBLY | A7-10-352-75 | DIE CAST ZINC  | SEE NOTE B           | SEE NOTE B    | SEE NOTE B      | SEE NOTE C                  |

MILLIMETER DIMENSIONS  
DIMENSIONS WITHOUT TOLERANCES ARE FOR REFERENCE ONLY.

THIRD ANGLE PROJECTION

A4 PAPER SIZE



**NOTES:**

- A. BLACK POWDER COATED.
- B. SATIN SILVER POLYESTER POWDER COATED.
- C. VISIBLE PINS - STAINLESS STEEL, PASSIVATED; INTERNAL PINS - STAINLESS STEEL, NATURAL; LINK - DIE CAST ZINC, CHEMICAL PROTECTIVE FILM; SPRING - MUSIC WIRE, PHOSPHATE DIP PLUS BLACK ORGANIC COATING; LOCK PLUG - DIE CAST ZINC AND BRASS, SEE FINISH IN ABOVE TABLE; LOCK EXTENSION - DIE CAST ZINC, CHEMICAL PROTECTIVE FILM; LOCK SLIDE - STEEL, ZINC PLATE BRIGHT.

