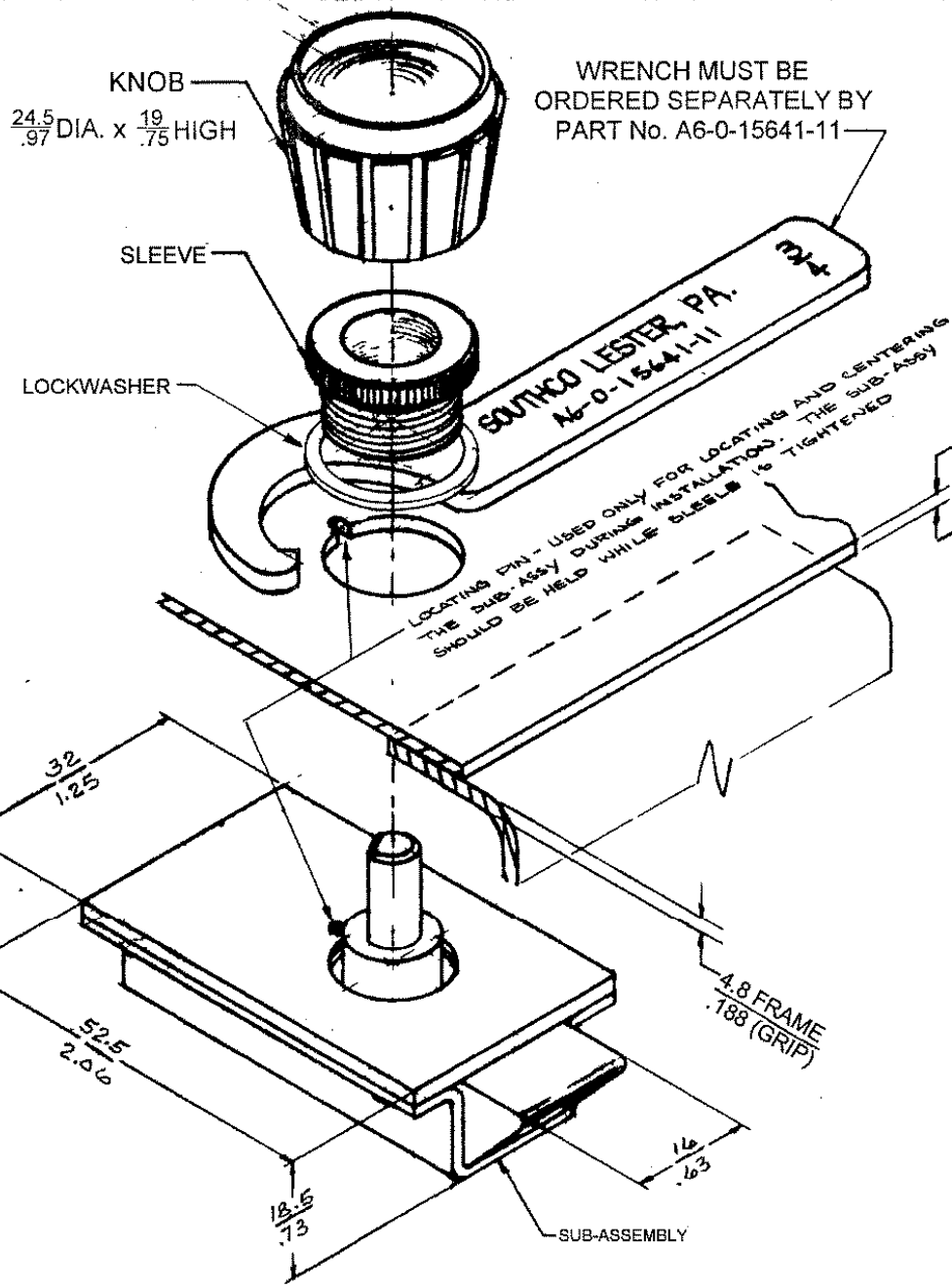
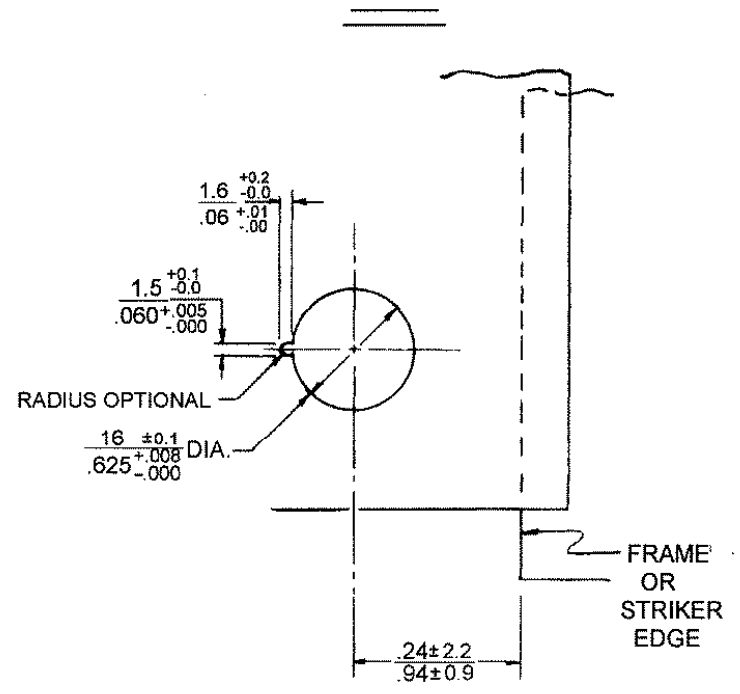


DATE	DRAWN	CHKD	SCALE	DRAWING NUMBER
5-1-75	JHV		NTS	J-A6-60-116-10

ITEM	PART No	MATERIAL	FINISH	R.S.	DATE	APP
ASSEMBLY	A6-60-116-10	—	—	A		
SUB-ASSEMBLY	—	SEE NOTE A	SEE NOTE A	B		
SLEEVE	—	STEEL	BLACK ORGANIC COATING	C		
KNOB	—	THERMOPLASTIC	BLACK	D	11/10/76	SM
LOCKWASHER	—	STEEL	ZINC PLATE			



NOTE A ~ SUB-ASSEMBLY MATERIALS AND FINISHES
 ~ HOUSING IS STEEL, ZINC PLATED.
 ~ RETAINING RING IS STEEL, ZINC PLATED -YELLOW.
 ~ SPRING IS STAINLESS STEEL, NATURAL.
 ~ ALL OTHER COMPONENTS ARE DIE CAST ZINC, WITH BLACK ORGANIC COATING.



INSTALLATION HOLE DETAIL

REV J 14SEP22 AJF/CTG PRN: P2022-1606