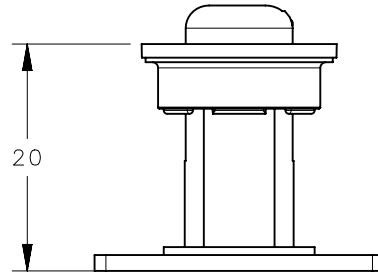
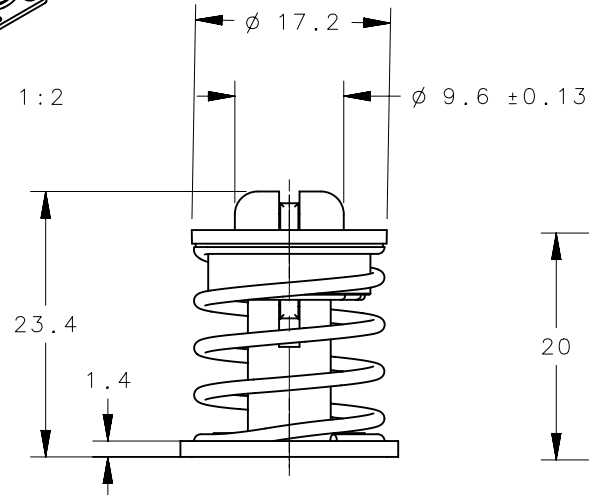
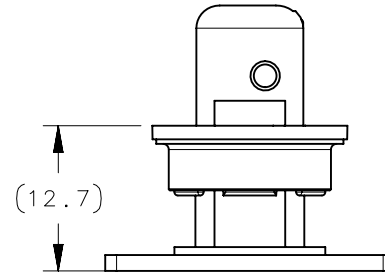


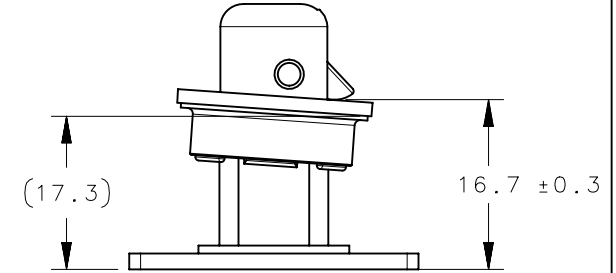
SCALE 1:2



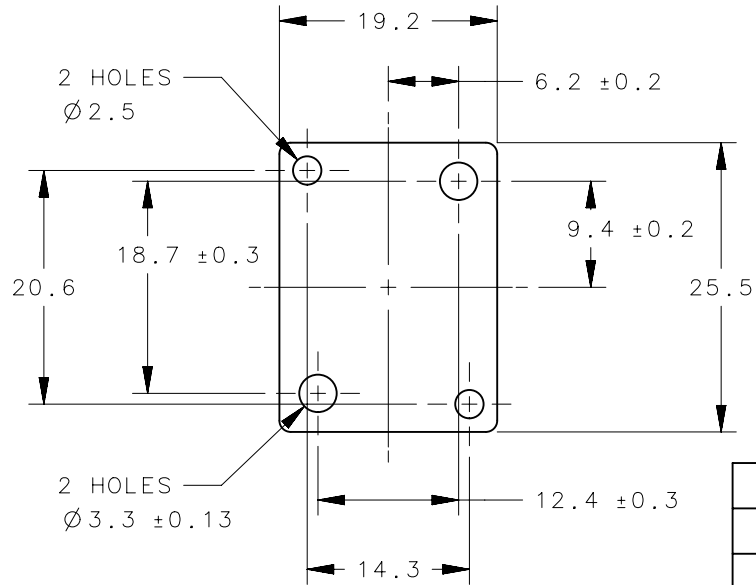
UNLATCHED



TRAVEL TO LATCH
TRAVEL TO UNLATCH



LATCHED



NO.	QTY	PART NUMBER	TYPE OF COMPONENT	MATERIAL	FINISH
	1	A4-20-501-10	ASSEMBLY	-	-
8	1		PIN LATCH LT SPRING	STAINLESS STEEL	-
7	1		PIN LATCH BODY	ZINC ALLOY DIE CAST	NATURAL
6	1		PIN LATCH PIVOT PIN	STAINLESS STEEL	POLISHED
5	1		PIN LATCH CAM PLATE	STAINLESS STEEL	POLISHED
4	1		PIN LATCH BALL	STAINLESS STEEL	POLISHED
3	1		PIN LATCH SLIDE	ACETAL CO-POLYMER	BLACK
2	1		PIN LATCH SLEEVE	STEEL-BS970	ZINC PLATE CHROMATE
1	1		PIN LATCH SPRING	302 STAINLESS STEEL	-

THIRD ANGLE PROJECTION				southco [®] CONNECT • CREATE • INNOVATE			
MILLIMETERS [IN]							
SURFACE AREA		TOLERANCES UNLESS OTHERWISE NOTED		DESCRIPTION A4 PIN LATCH ASSEMBLY			
VOLUME		ALL DIMENSIONS WITHOUT TOLERANCES ARE FOR REFERENCE ONLY.		SIZE A4	SYSTEM NX	DWG NO. J-A4-20-501-10	
PROPRIETARY ITEM <small>EXCEPT FOR USES EXPRESSLY GRANTED IN WRITING, INFORMATION DISCLOSED HEREON IS CONFIDENTIAL AND ALL RIGHTS, PATENT AND OTHERWISE, ARE RESERVED BY SOUTHCO, INC.</small>		PER ASME Y14.5M-1994		DRAWN BY ACH/MJS	DATE 27OCT2009	SCALE 1:1	SHEET 1 OF 1

REVISION HISTORY			
REV	DATE	BY	DESCRIPTION
D	09JUL2021	CRM/DMS	PRN: P2021-1367