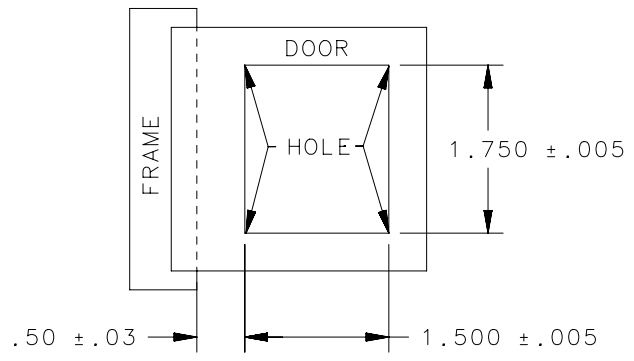
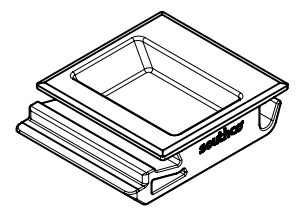


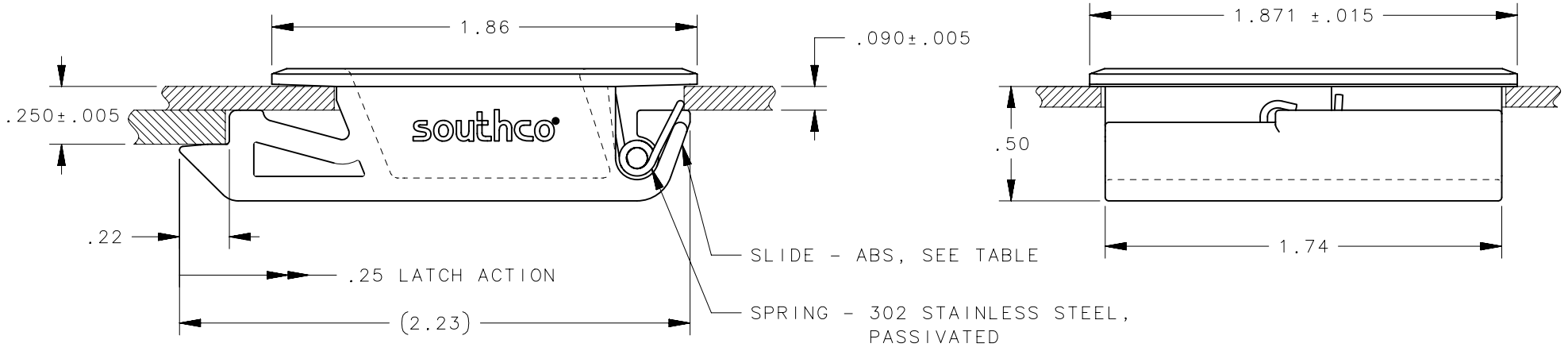
REVISION HISTORY			
REV	DATE	BY	DESCRIPTION
G	05NOV2014	DMS/YGC	PRN: P2014-2210



PANEL PREPARATION
SCALE 1:2



SCALE 1:2



A3-50-925-23	SLIDE	MEDIUM WHITE
A3-50-925-12	SLIDE	BLACK
A3-50-925-11	SLIDE	WHITE
PART NUMBER	TYPE OF COMPONENT	FINISH

NOTES:
 A. PATENT NUMBER 3,841,674.
 B. INSTALLATION:
 SLIDE THE FRONT OF THE LATCH INTO THE PREPARED HOLE AND THEN SNAP THE BACK END DOWN INTO POSITION.

THIRD ANGLE PROJECTION	
INCHES [MM]	
TOLERANCES UNLESS OTHERWISE NOTED	
ALL DIMENSIONS WITHOUT TOLERANCES ARE FOR REFERENCE ONLY.	
PER ASME Y14.5M-1994	

southco[®]
CONNECT • CREATE • INNOVATE

DESCRIPTION
**SOUTHCO NO. A3 SLIDE LATCH
 50 SERIES**

SIZE A	SYSTEM NX	DWG NO. J-A3-50-925
DRAWN BY JSS	DATE 01AUG1990	SCALE 1.5:1
		SHEET 1 OF 1

PROPRIETARY ITEM
 EXCEPT FOR USES EXPRESSLY GRANTED IN WRITING, INFORMATION DISCLOSED HEREON IS CONFIDENTIAL AND ALL RIGHTS, PATENT AND OTHERWISE, ARE RESERVED BY SOUTHCO, INC.