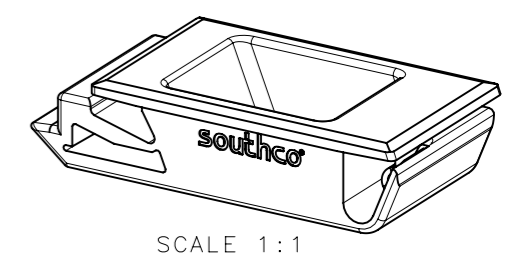
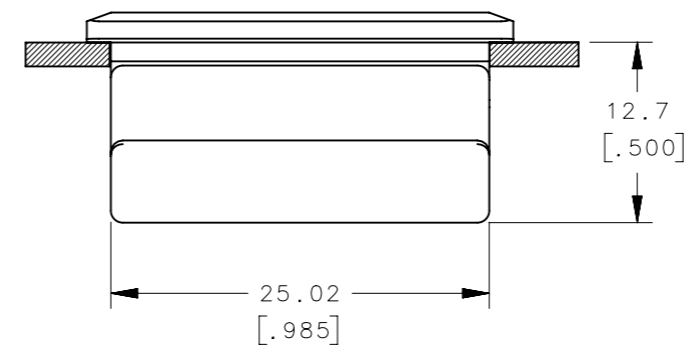
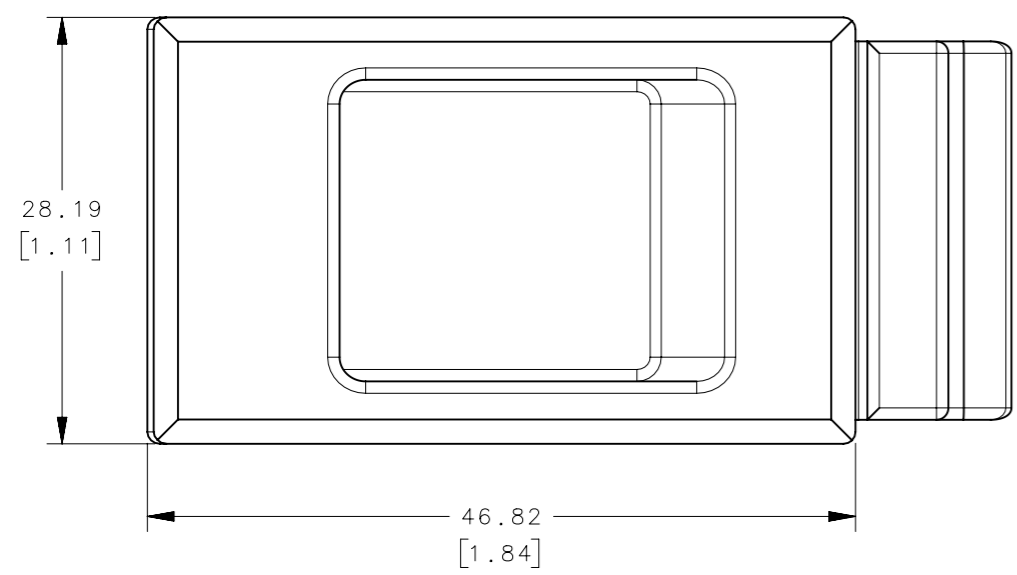
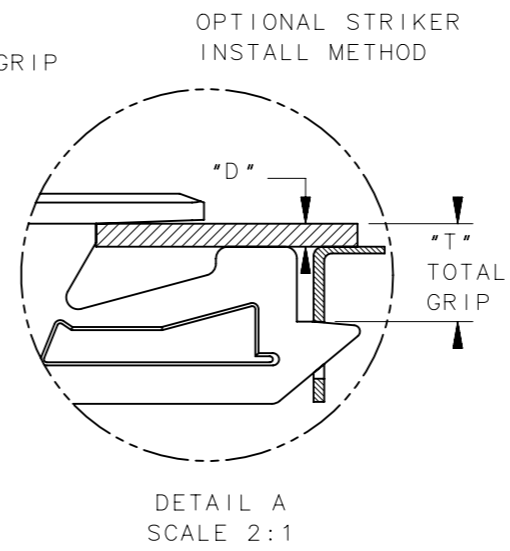
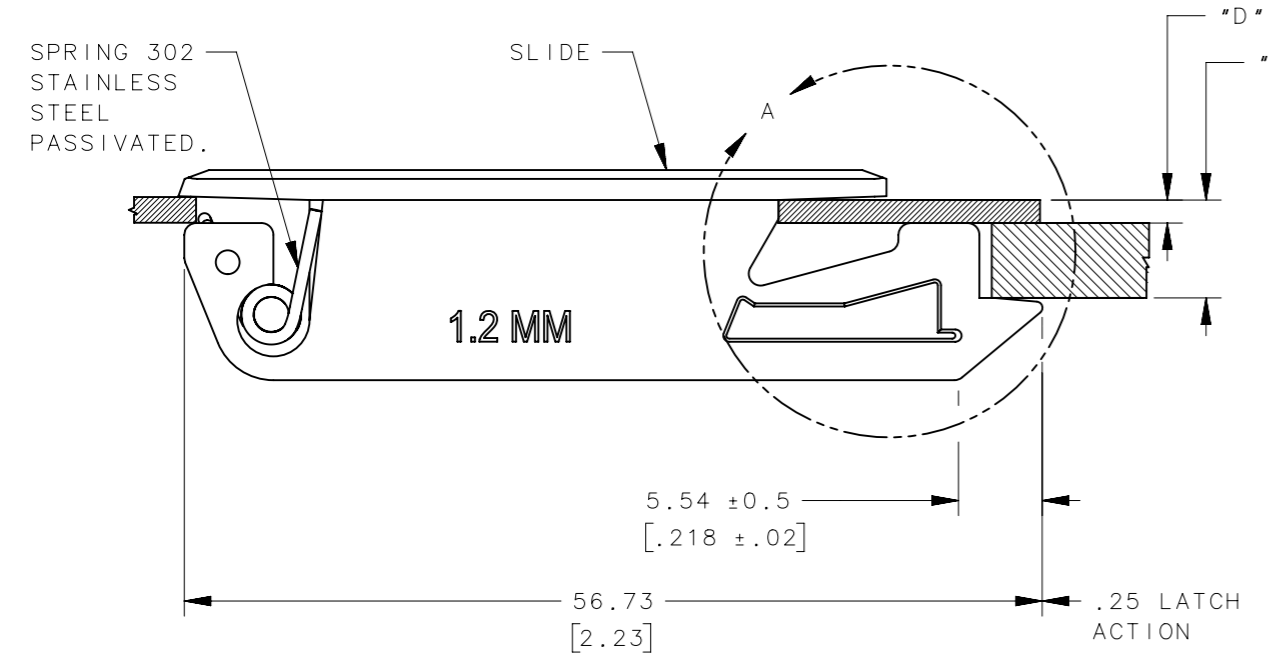
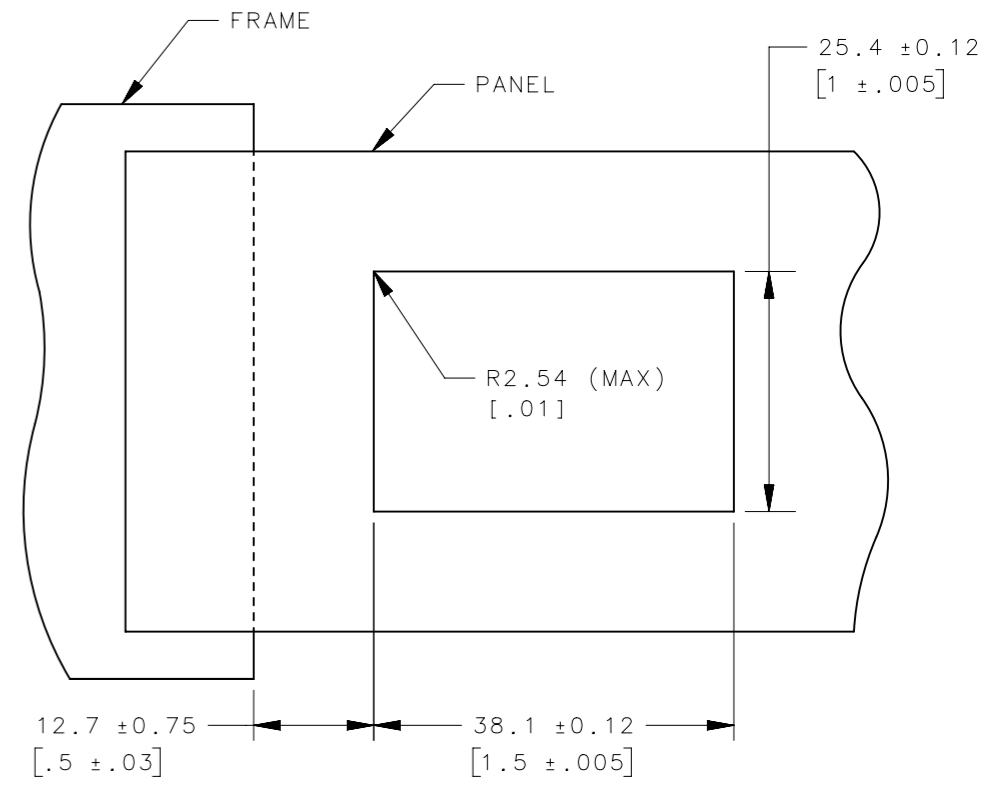


REVISION HISTORY			
REV	DATE	BY	DESCRIPTION
R	19JUN2015	JJJ/MWD	PRN: P2015-1021



PANEL PREPARATION



A3-40-525-22	6.35 [.250]	1.27 [.050]	ABS	GREY
A3-40-525-32	6.35 [.250]	1.27 [.050]	ABS	BLURPLE
A3-40-525-12	6.35 [.250]	1.27 [.050]	ABS	BLACK
ASSEMBLY	"T" ±0.127 [.005]	"D" ±0.127 [.005]	SLIDE MATERIAL	SLIDE COLOR

THIRD ANGLE PROJECTION			
MILLIMETERS [IN]			
TOLERANCES UNLESS OTHERWISE NOTED	DESCRIPTION		
ALL DIMENSIONS WITHOUT TOLERANCES ARE FOR REFERENCE ONLY.	Push to Close Latch		
PROPRIETARY ITEM	SIZE A3	SYSTEM NX	DWG NO. J-A3-40-A
EXCEPT FOR USES EXPRESSLY GRANTED IN WRITING, INFORMATION DISCLOSED HEREON IS CONFIDENTIAL AND ALL RIGHTS, PATENT AND OTHERWISE, ARE RESERVED BY SOUTHCO, INC.	PER ASME Y14.5M-1994	DRAWN BY PEK	DATE 04AUG2011
		SCALE 1:1	SHEET 1 OF 1

- INSTALLATION:
1. PREPARE A BURR-FREE HOLE, AS SHOWN.
 2. SLIP FRONT OF LATCH THROUGH THE HOLE AND PUSH FORWARD.
 3. SNAP BACK END OF LATCH INTO POSITION.